

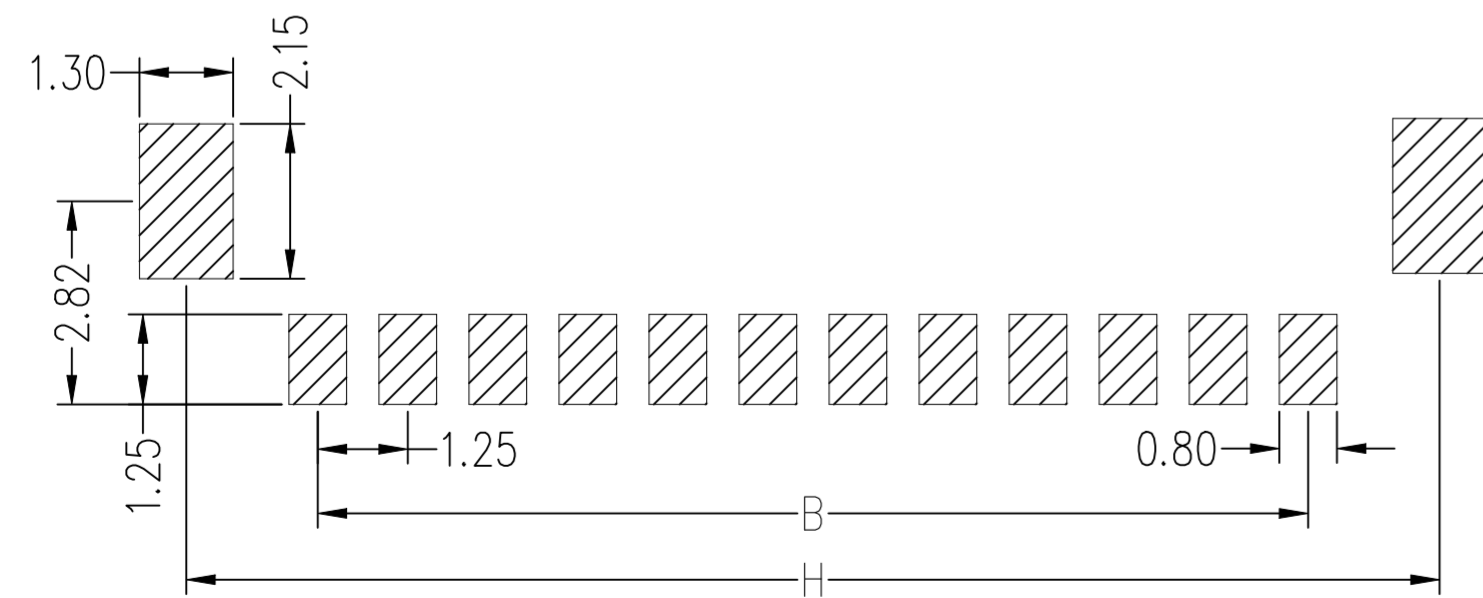
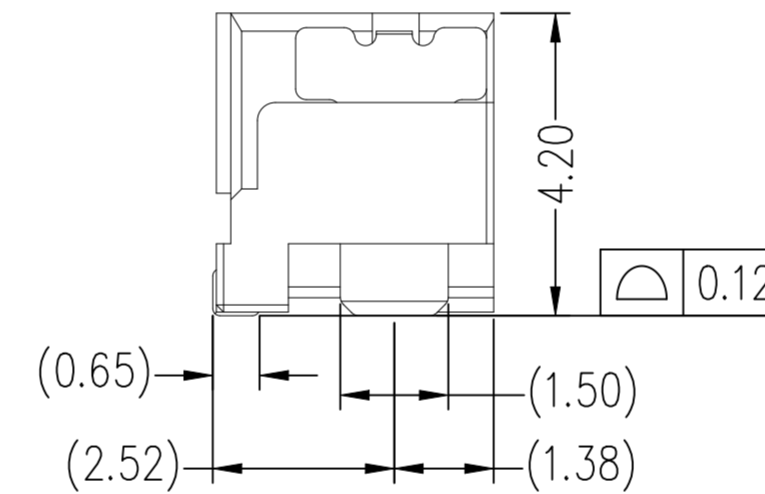
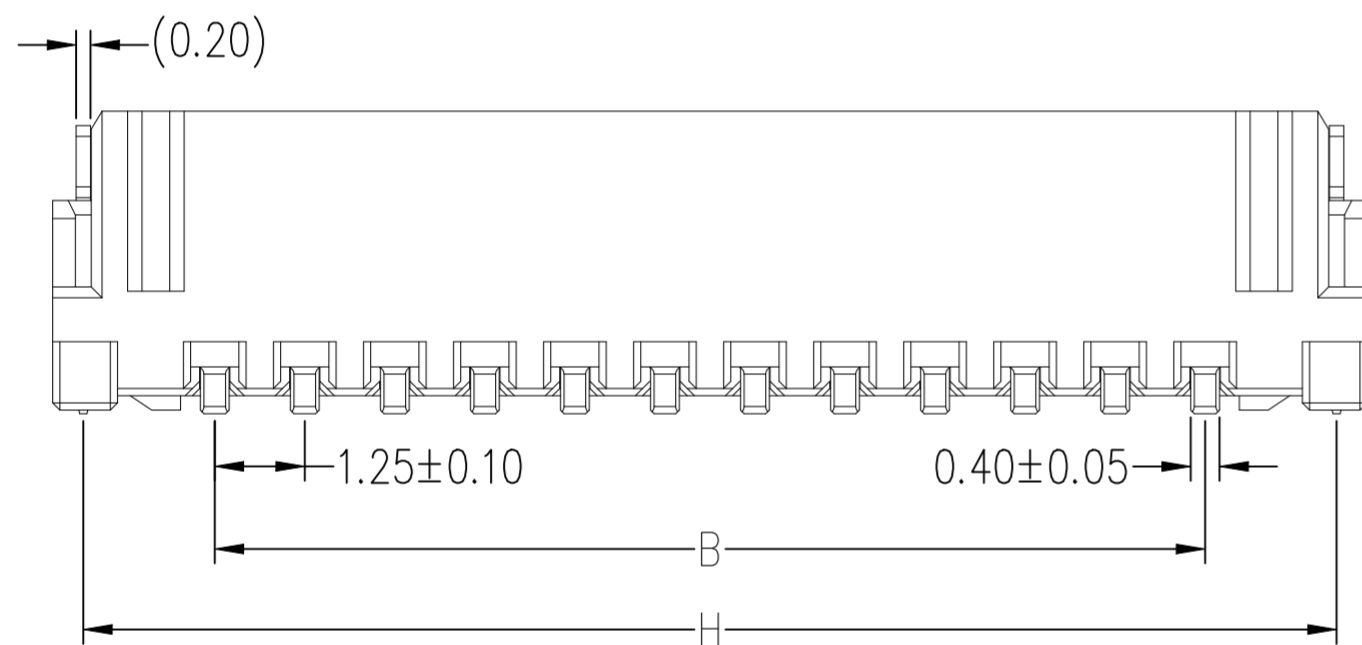
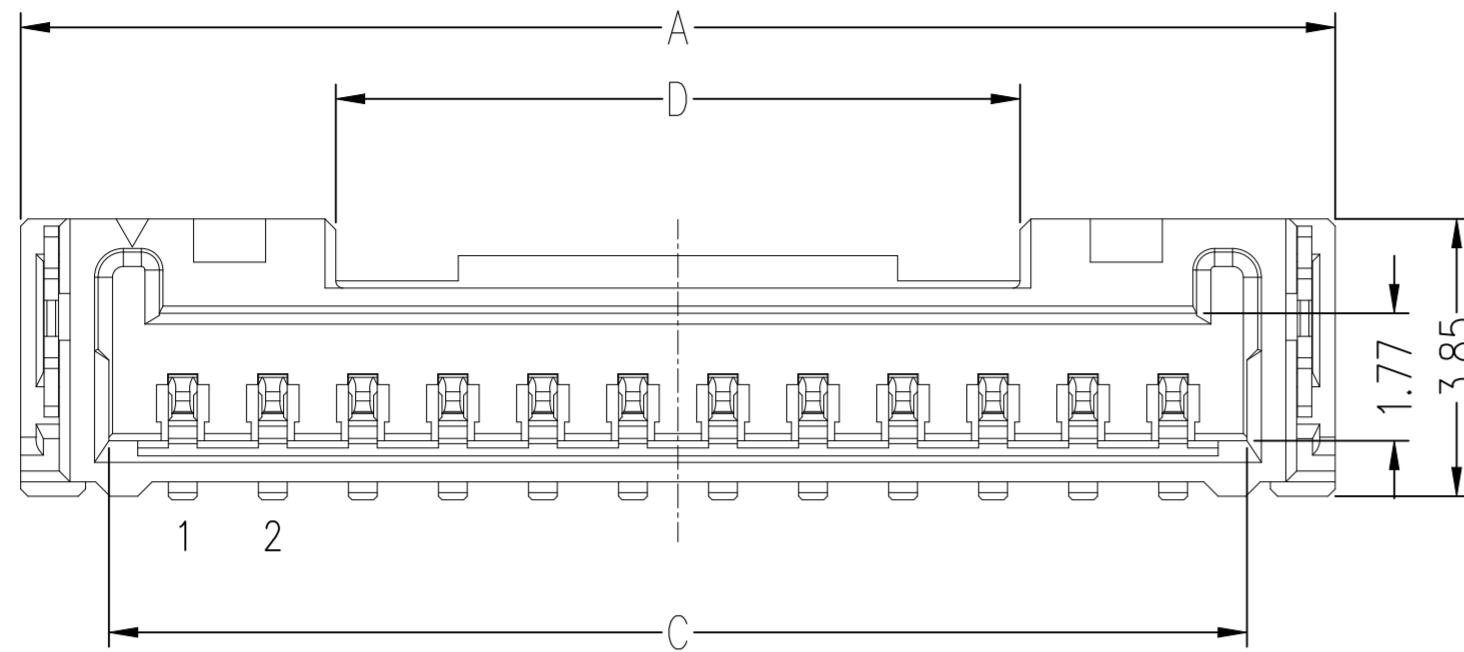
| REVISIONS |     |                 |           |     |      |
|-----------|-----|-----------------|-----------|-----|------|
| P         | LTR | DESCRIPTION     | DATE      | DWN | APVD |
| A         |     | Initial Release | 10MAR2025 | MS  | JM   |

# Drawing for SMT Type

**NOTES:**

- Current Rating: See Table
  - Contact Resistance: 20mΩ Max
  - Withstand Voltage: 500V AC
  - Insulation Resistance: 100MΩ Min
  - Operation Temperature: -40°C to +125°C
  - Housing: High Temperature Plastics, UL94 V-0, Black
  - Cap: High Temperature Plastics, UL94 V-0, Black
  - Contact: Copper Alloy  
Matte Tin or 0.02μm[0.8u"] Gold over Nickel
  - Nail: Copper Alloy  
Matte Tin over Nickel
- Recommended Process:**  
IR Soldering, Peak Temperature: 260±5°C, 5s
- Rated Current at 23°C:**

| Size Wire \ Pins | 2P   | 8P   | 16P  |
|------------------|------|------|------|
| AWG#26           | 3.6A | 2.4A | 2.2A |
| AWG#28           | 3.1A | 2.1A | 1.8A |
| AWG#30           | 2.8A | 1.8A | 1.5A |



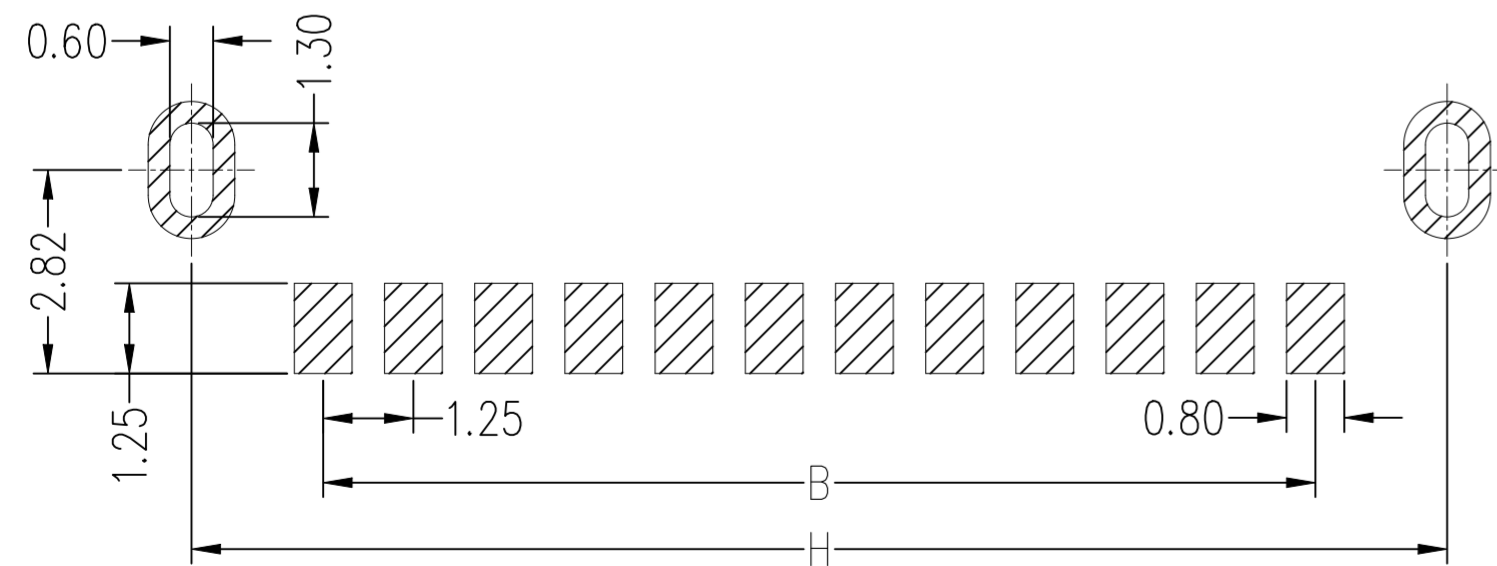
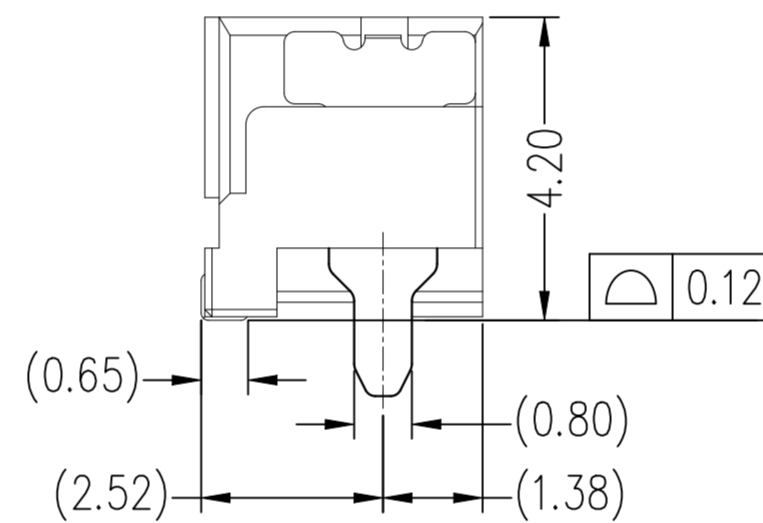
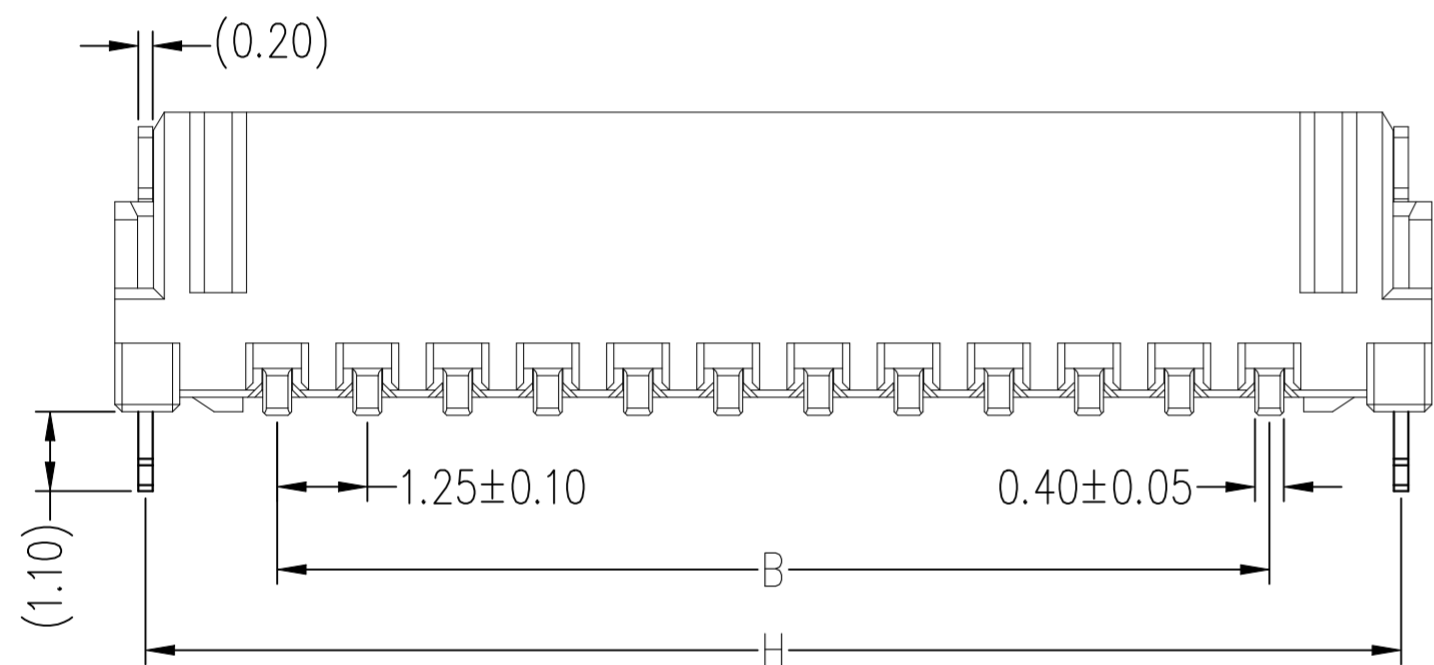
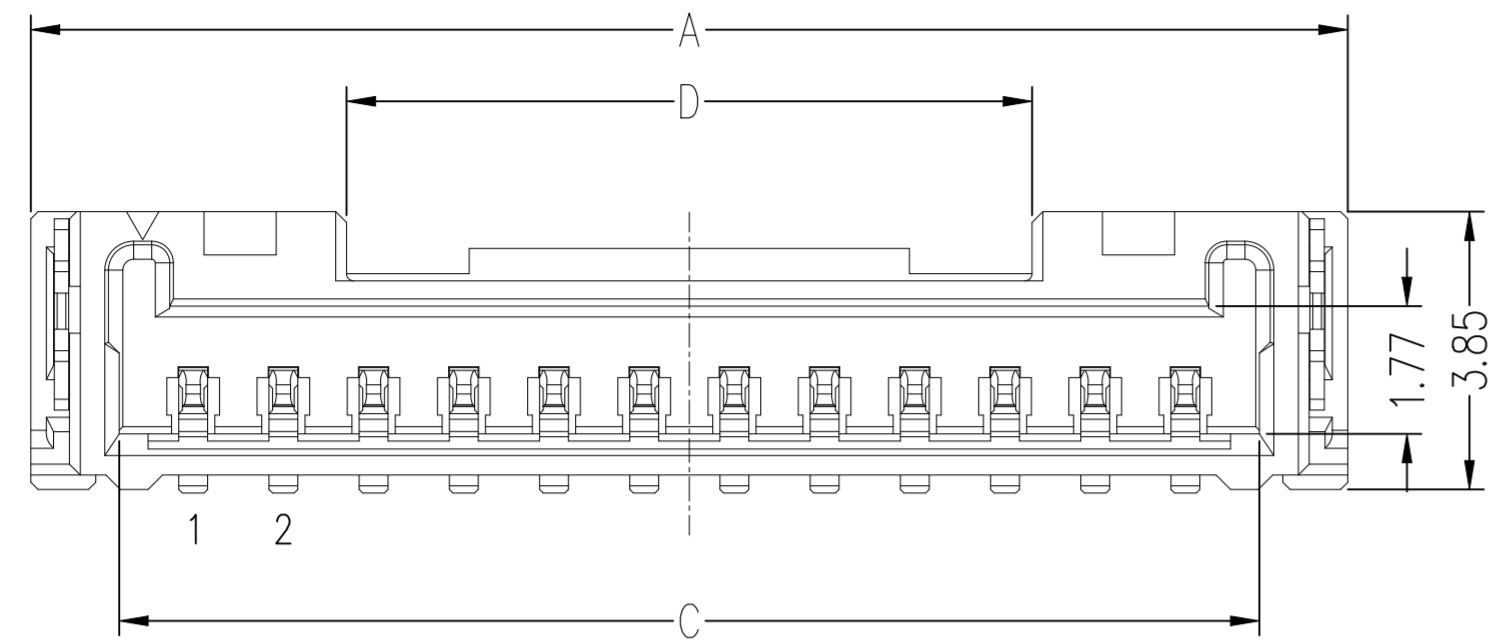
RECOMMENDED P.C.B LAYOUT  
(COMPONENT SIDE)(TOLERANCE: ±0.05)

| PRODUCT FAMILY TABLE – SURFACE MOUNT |       |       |       |       |      |       |       |       |             |             |             |
|--------------------------------------|-------|-------|-------|-------|------|-------|-------|-------|-------------|-------------|-------------|
| PINS                                 | A     | B     | C     | D     | E    | F     | G     | H     | J           | TCPN (TIN)  | TCPN (GOLD) |
| 1x2                                  | 5.75  | 1.25  | 3.50  | 2.20  | 0.85 |       |       | 4.90  | 0.55        | 2496750-2   | 4-2496750-2 |
| 1x3                                  | 7.00  | 2.50  | 4.75  | 3.15  | 1.15 |       |       | 6.15  | 0.60        | 2496750-3   | 4-2496750-3 |
| 1x4                                  | 8.25  | 3.75  | 6.00  | 4.40  | 1.40 |       |       | 7.40  |             | 2496750-4   | 4-2496750-4 |
| 1x5                                  | 9.50  | 5.00  | 7.25  | 5.65  | 2.65 |       |       | 8.65  |             | 2496750-5   | 4-2496750-5 |
| 1x6                                  | 10.75 | 6.25  | 8.50  | 6.90  | 3.90 | /     | /     | 9.90  | 0.85        | 2496750-6   | 4-2496750-6 |
| 1x7                                  | 12.00 | 7.50  | 9.55  | 7.00  |      |       |       | 11.15 |             | 2496750-7   | 4-2496750-7 |
| 1x8                                  | 13.25 | 8.75  | 10.80 | 9.50  | 6.10 |       |       | 12.40 | 2496750-8   | 4-2496750-8 |             |
| 1x9                                  | 14.50 | 10.00 | 12.05 |       |      |       |       | 13.65 | 2496750-9   | 4-2496750-9 |             |
| 1x10                                 | 15.75 | 11.25 | 13.30 | 11.00 | 7.60 | 14.60 | 12.30 | 14.90 | 1-2496750-0 | 5-2496750-0 |             |
| 1x11                                 | 17.00 | 12.50 | 14.55 |       |      |       |       | 16.15 | 1-2496750-1 | 5-2496750-1 |             |
| 1x12                                 | 18.25 | 13.75 | 15.80 |       |      |       |       | 17.40 | 1-2496750-2 | 5-2496750-2 |             |
| 1x13                                 | 19.50 | 15.00 | 17.05 | 19.90 |      |       |       | 18.65 | 1-2496750-3 | 5-2496750-3 |             |
| 1x14                                 | 20.75 | 16.25 | 18.30 |       |      |       |       | 21.15 | 1-2496750-4 | 5-2496750-4 |             |
| 1x15                                 | 22.00 | 17.50 | 19.55 | 22.40 |      |       |       | 21.15 | 1-2496750-4 | 5-2496750-4 |             |
| 1x16                                 | 23.25 | 18.75 | 20.80 |       |      |       |       | 22.40 | 1-2496750-6 | 5-2496750-6 |             |

|  |  |                          |                           |                 |
|--|--|--------------------------|---------------------------|-----------------|
| THIS DRAWING IS A CONTROLLED DOCUMENT. |  | DWN Madhan S 10JAN2025   | <b>TE</b> TE Connectivity |                 |
|  |  | CHK JAGRUTI M 06FEB2025  |                           |                 |
| DIMENSIONS: mm                         |  | APVD JAGRUTI M 06FEB2025 | NAME                      |                 |
| TOLERANCES UNLESS OTHERWISE SPECIFIED: |  | PRODUCT SPEC             | 1.25MM WTB HDR SMT & THBL |                 |
| 0 PLC ± -                              |  | APPLICATION SPEC         | 108-161761                |                 |
| 1 PLC ± -                              |  | WEIGHT 0                 | SIZE A2                   | CAGE CODE 00779 |
| 2 PLC ± 0.25                           |  | FINISH                   | DRAWING NO C=2496750      | RESTRICTED TO   |
| 3 PLC ± -                              |  |                          | SCALE 1:1                 | SHEET 1 of 6    |
| 4 PLC ± -                              |  |                          |                           | REV A           |
| ANGLES ± -                             |  |                          |                           |                 |
| MATERIAL                               |  | CUSTOMER DRAWING         |                           |                 |

| REVISIONS |     |             |      |     |      |
|-----------|-----|-------------|------|-----|------|
| P         | LTR | DESCRIPTION | DATE | DWN | APVD |
| -         | -   | SEE SHEET 1 | -    | -   | -    |

# Drawing for THBL Type



RECOMMENDED P.C.B LAYOUT  
(COMPONENT SIDE)(TOLERANCE: ±0.05)

**NOTES:**

- 1,Current Rating: See Table
  - 2,Contact Resistance: 20mΩ Max
  - 3,Withstand Voltage: 500V AC
  - 4,Insulation Resistance: 100MΩ Min
  - 5,Operation Temperature: -40°C to +125°C
  - 6,Housing: High Temperature Plastics, UL94 V-0, Black
  - 7,Cap: High Temperature Plastics, UL94 V-0, Black
  - 8,Contact: Copper Alloy  
Matte Tin or 0.02μm[0.8u"] Gold over Nickel
  - 9,Nail: Copper Alloy  
Matte Tin over Nickel
- Recommended Process:  
IR Soldering,Peak Temperature: 260±5°C,5s

Rated Current at 23°C:

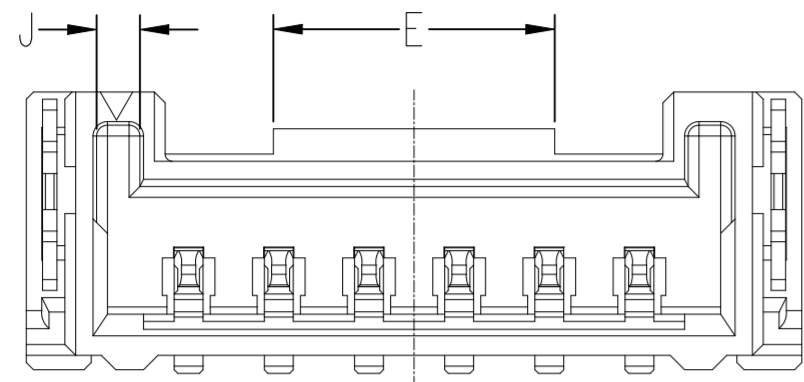
| Size Wire \ Pins | 2P   | 8P   | 16P  |
|------------------|------|------|------|
| AWG#26           | 3.6A | 2.4A | 2.2A |
| AWG#28           | 3.1A | 2.1A | 1.8A |
| AWG#30           | 2.8A | 1.8A | 1.5A |

| PRODUCT FAMILY TABLE -THRU HOLE BOARD LOCK |       |       |       |       |             |             |   |       |      |             |             |
|--|-------|-------|-------|-------|-------------|-------------|---|-------|------|-------------|-------------|
| PINS                                       | A     | B     | C     | D     | E           | F           | G | H     | J    | TCPN (TIN)  | TCPN (GOLD) |
| 1x2  | 5.75  | 1.25  | 3.50  | 2.20  | 0.85        |             |   | 4.90  | 0.55 | 2-2496750-2 | 6-2496750-2 |
| 1x3  | 7.00  | 2.50  | 4.75  | 3.15  | 1.15        |             |   | 6.15  | 0.60 | 2-2496750-3 | 6-2496750-3 |
| 1x4  | 8.25  | 3.75  | 6.00  | 4.40  | 1.40        |             |   | 7.40  |      | 2-2496750-4 | 6-2496750-4 |
| 1x5  | 9.50  | 5.00  | 7.25  | 5.65  | 2.65        |             |   | 8.65  |      | 2-2496750-5 | 6-2496750-5 |
| 1x6  | 10.75 | 6.25  | 8.50  | 6.90  |             |             |   | 9.90  |      | 2-2496750-6 | 6-2496750-6 |
| 1x7  | 12.00 | 7.50  | 9.55  | 7.00  | 3.90        | /           | / | 11.15 | 0.85 | 2-2496750-7 | 6-2496750-7 |
| 1x8  | 13.25 | 8.75  | 10.80 |       |             |             |   | 12.40 |      | 2-2496750-8 | 6-2496750-8 |
| 1x9  | 14.50 | 10.00 | 12.05 | 13.65 | 2-2496750-9 | 6-2496750-9 |   |       |      |             |             |
| 1x10                                       | 15.75 | 11.25 | 13.30 | 14.90 | 3-2496750-0 | 7-2496750-0 |   |       |      |             |             |
| 1x11                                       | 17.00 | 12.50 | 14.55 | 16.15 | 3-2496750-1 | 7-2496750-1 |   |       |      |             |             |
| 1x12                                       | 18.25 | 13.75 | 15.80 | 17.40 | 3-2496750-2 | 7-2496750-2 |   |       |      |             |             |
| 1x13                                       | 19.50 | 15.00 | 17.05 | 18.65 | 3-2496750-3 | 7-2496750-3 |   |       |      |             |             |
| 1x14                                       | 20.75 | 16.25 | 18.30 | 19.90 | 3-2496750-4 | 7-2496750-4 |   |       |      |             |             |
| 1x15                                       | 22.00 | 17.50 | 19.55 | 21.15 | 3-2496750-5 | 7-2496750-5 |   |       |      |             |             |
| 1x16                                       | 23.25 | 18.75 | 20.80 | 22.40 | 3-2496750-6 | 7-2496750-6 |   |       |      |             |             |

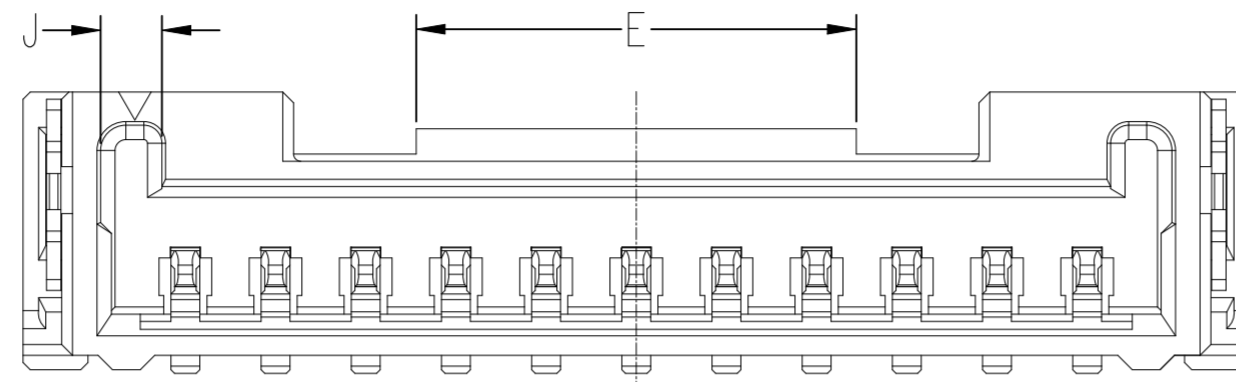
|  |   |  |           |                              |                           |   |   |       |   |      |       |   |      |       |   |   |        |   |   |                            |  |                  |  |
|--|---|--|-----------|------------------------------|---------------------------|---|---|-------|---|------|-------|---|------|-------|---|---|--------|---|---|----------------------------|--|------------------|--|
| THIS DRAWING IS A CONTROLLED DOCUMENT.   |   | DWN                                    | 10JAN2024 |                              | TE Connectivity           |   |   |       |   |      |       |   |      |       |   |   |        |   |   |                            |  |                  |  |
|  |   | CHK                                    | 10JAN2024 |                              | 1.25MM WTB HDR SMT & THBL |   |   |       |   |      |       |   |      |       |   |   |        |   |   |                            |  |                  |  |
|  |   | APVD                                   | 06FEB2025 |                              | -                         |   |   |       |   |      |       |   |      |       |   |   |        |   |   |                            |  |                  |  |
|  |   | PRODUCT SPEC                           |           |                              | -                         |   |   |       |   |      |       |   |      |       |   |   |        |   |   |                            |  |                  |  |
| DIMENSIONS: mm   |   | TOLERANCES UNLESS OTHERWISE SPECIFIED: |           | NAME                         |                           |   |   |       |   |      |       |   |      |       |   |   |        |   |   |                            |  |                  |  |
| <table border="0"> <tr> <td>0 PLC</td> <td>±</td> <td>-</td> </tr> <tr> <td>1 PLC</td> <td>±</td> <td>-</td> </tr> <tr> <td>2 PLC</td> <td>±</td> <td>0.25</td> </tr> <tr> <td>3 PLC</td> <td>±</td> <td>0.15</td> </tr> <tr> <td>4 PLC</td> <td>±</td> <td>-</td> </tr> <tr> <td>ANGLES</td> <td>±</td> <td>-</td> </tr> </table> |   | 0 PLC                                  | ±         | -                            | 1 PLC                     | ± | - | 2 PLC | ± | 0.25 | 3 PLC | ± | 0.15 | 4 PLC | ± | - | ANGLES | ± | - | PRODUCT SPEC<br>108-161761 |  | APPLICATION SPEC |  |
| 0 PLC  | ± | -                                      |           |                              |                           |   |   |       |   |      |       |   |      |       |   |   |        |   |   |                            |  |                  |  |
| 1 PLC  | ± | -                                      |           |                              |                           |   |   |       |   |      |       |   |      |       |   |   |        |   |   |                            |  |                  |  |
| 2 PLC  | ± | 0.25                                   |           |                              |                           |   |   |       |   |      |       |   |      |       |   |   |        |   |   |                            |  |                  |  |
| 3 PLC  | ± | 0.15                                   |           |                              |                           |   |   |       |   |      |       |   |      |       |   |   |        |   |   |                            |  |                  |  |
| 4 PLC  | ± | -                                      |           |                              |                           |   |   |       |   |      |       |   |      |       |   |   |        |   |   |                            |  |                  |  |
| ANGLES   | ± | -                                      |           |                              |                           |   |   |       |   |      |       |   |      |       |   |   |        |   |   |                            |  |                  |  |
| MATERIAL   |   | FINISH                                 |           | WEIGHT                       |                           |   |   |       |   |      |       |   |      |       |   |   |        |   |   |                            |  |                  |  |
| -  |   | -                                      |           | 0                            |                           |   |   |       |   |      |       |   |      |       |   |   |        |   |   |                            |  |                  |  |
|  |   | CUSTOMER DRAWING                       |           | SCALE 1:1 SHEET 2 OF 6 REV A |                           |   |   |       |   |      |       |   |      |       |   |   |        |   |   |                            |  |                  |  |

| REVISIONS |     |             |      |     |      |
|-----------|-----|-------------|------|-----|------|
| P         | LTR | DESCRIPTION | DATE | DWN | APVD |
| -         | -   | SEE SHEET 1 | -    | -   | -    |

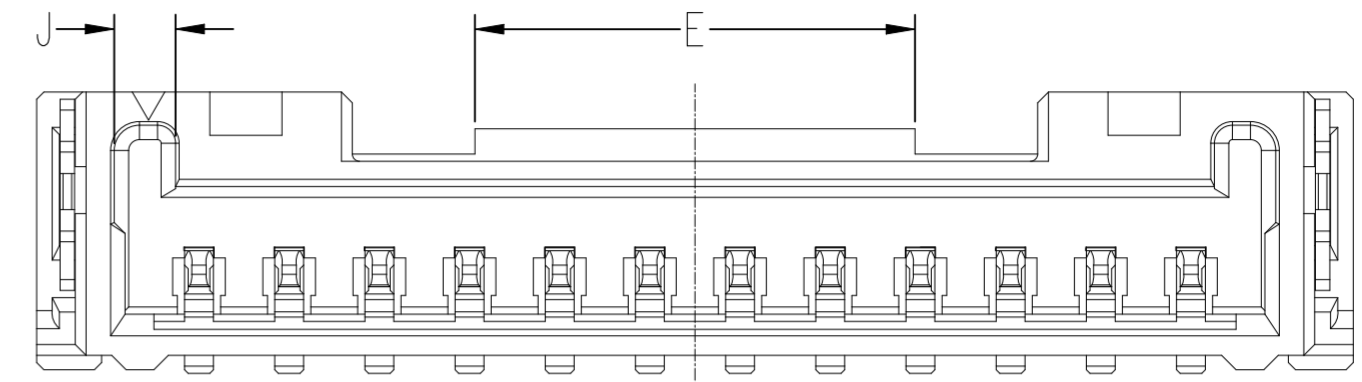
# Drawing for SMT Type



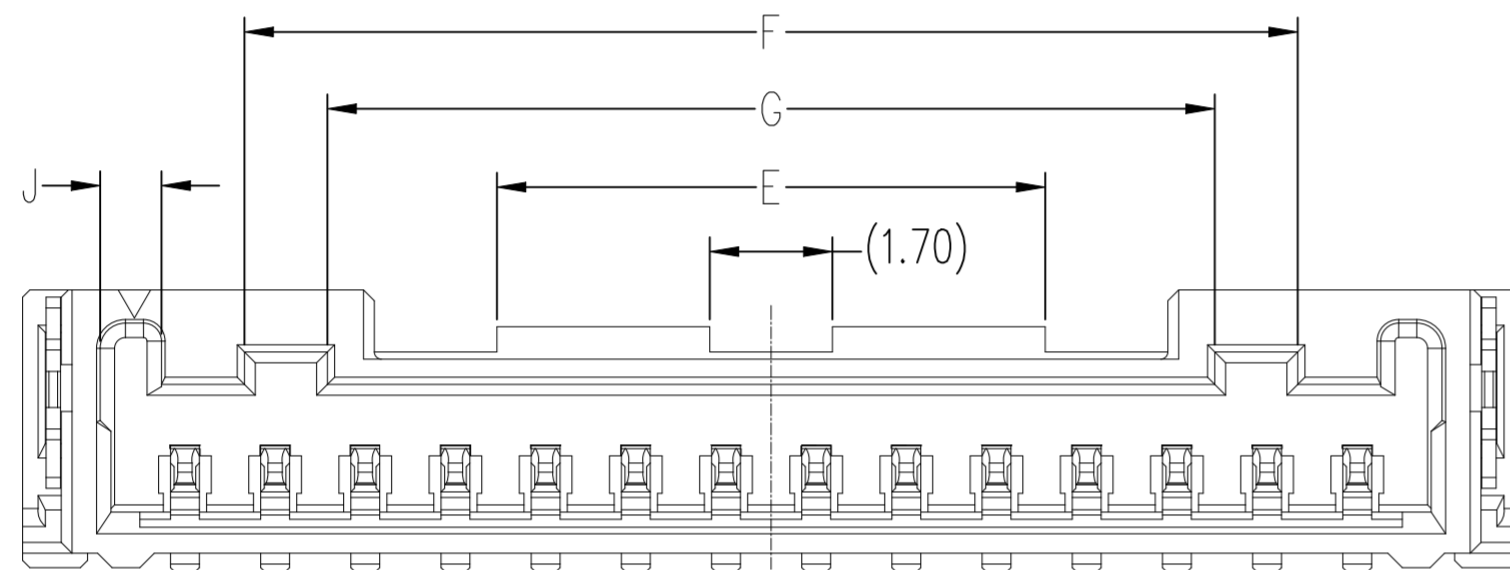
1x(2-6) PIN



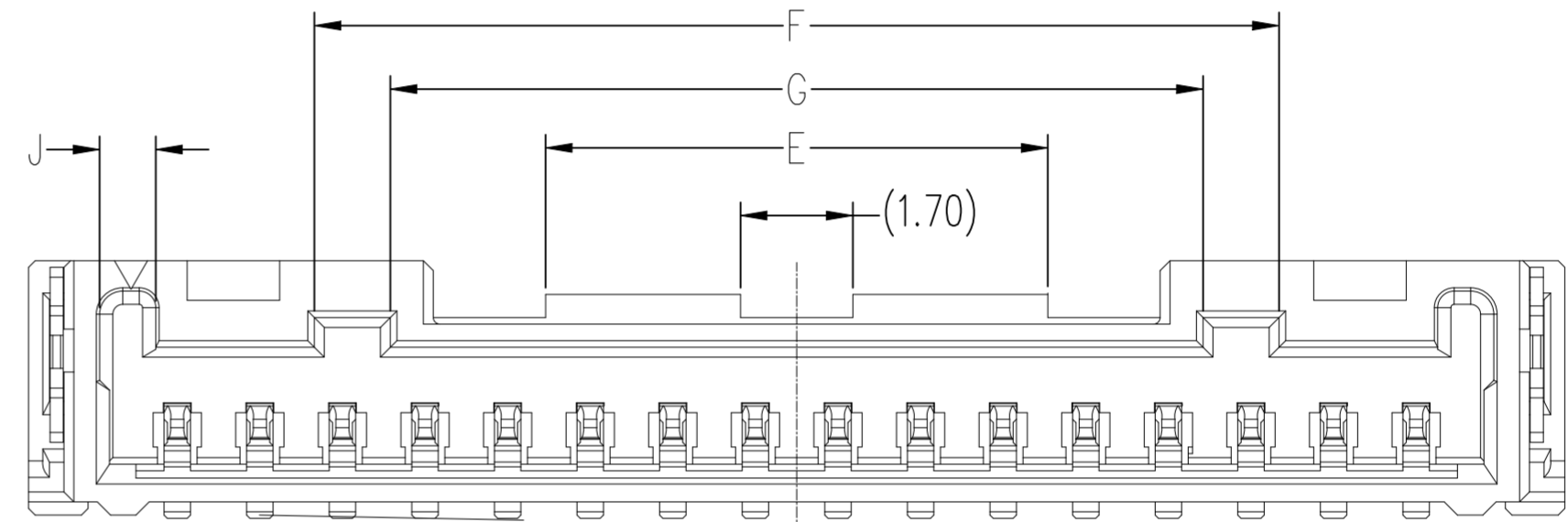
1x(7-11) PIN



1x(12-13) PIN

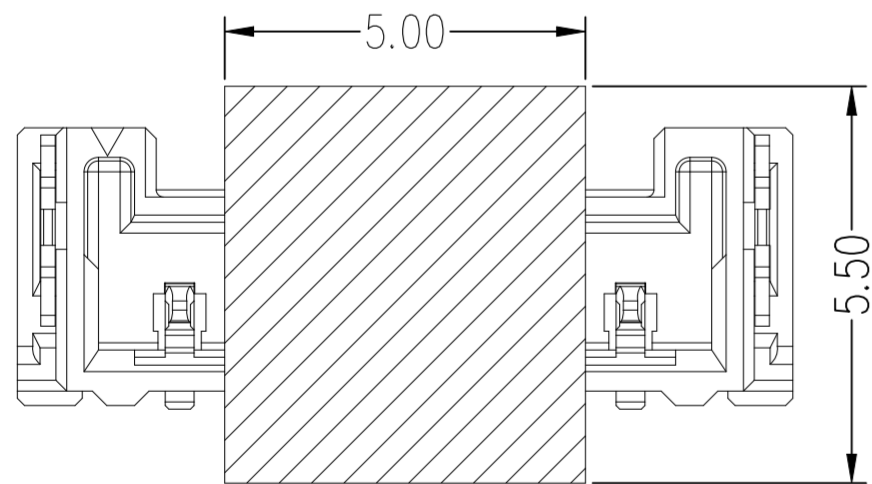


1x14 PIN

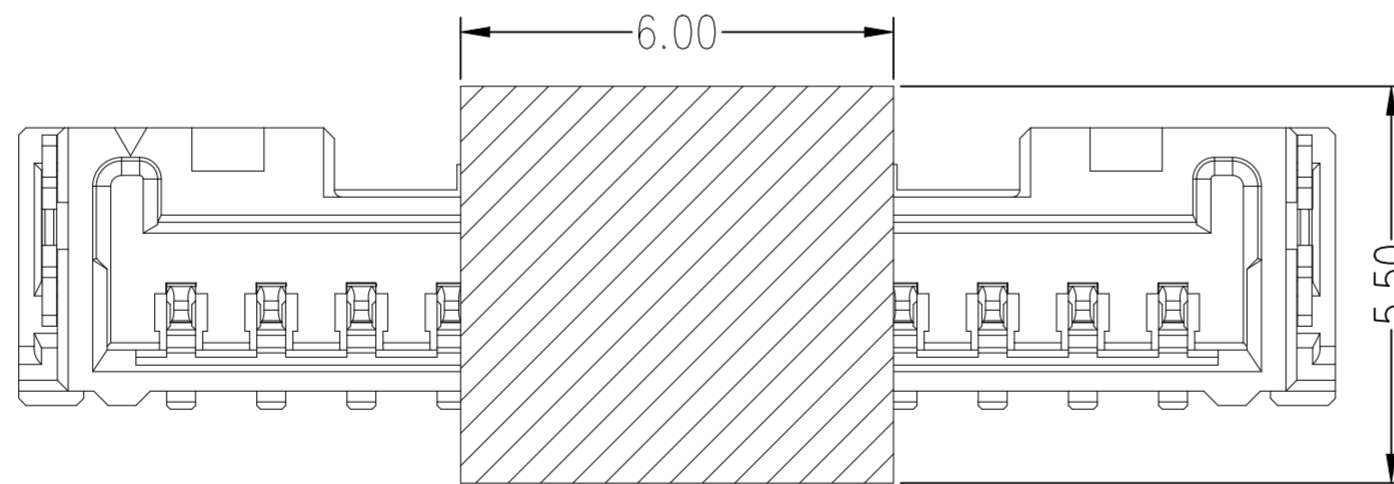


1x(15-16) PIN

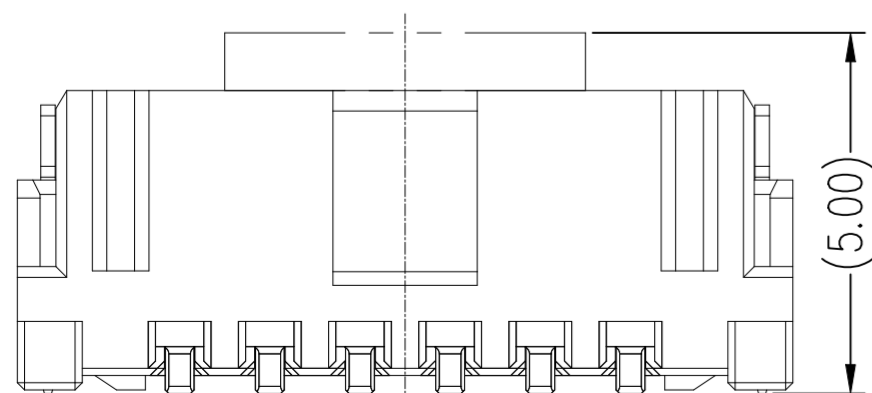
## CAP DETAILS



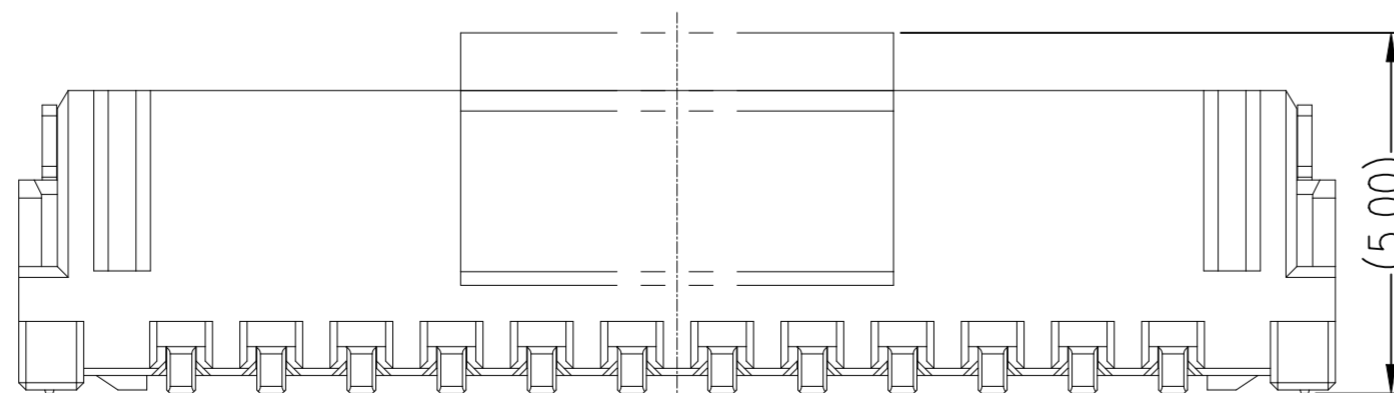
1x(2-6) PIN



1x(7-16) PIN



1x(2-6) PIN

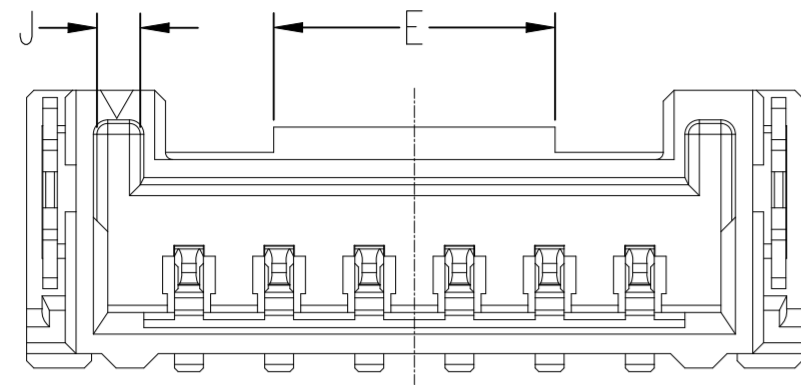


1x(7-16) PIN

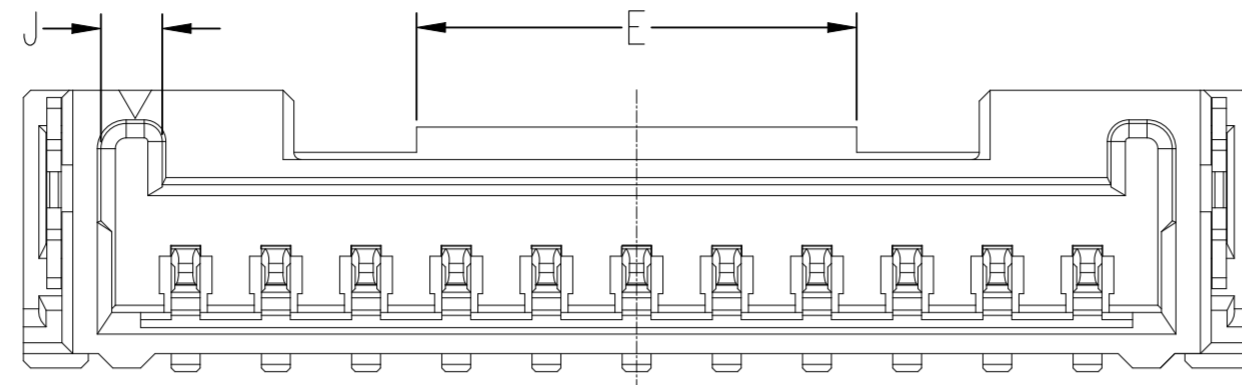
|  |  |                                |                           |                    |                    |
|--|--|--------------------------------|---------------------------|--------------------|--------------------|
| THIS DRAWING IS A CONTROLLED DOCUMENT. |  | DWN<br>Madhan S<br>10JAN2024   |                           |                    |                    |
|  |  | CHK<br>JAGRUTI M<br>10JAN2024  |                           |                    |                    |
|  |  | APVD<br>JAGRUTI M<br>06FEB2025 | NAME<br>-                 |                    |                    |
|  |  | PRODUCT SPEC<br>108-161761     | 1.25MM WTB HDR SMT & THBL |                    |                    |
|  |  | APPLICATION SPEC<br>-          | -                         |                    |                    |
| MATERIAL<br>-                          |  | FINISH<br>-                    | WEIGHT<br>0               | SIZE<br>A2         | CAGE CODE<br>00779 |
|  |  |                                | DRAWING NO<br>C=2496750   | RESTRICTED TO<br>- |                    |
|  |  |                                | CUSTOMER DRAWING          | SCALE<br>1:1       | SHEET<br>3 of 6    |
|  |  |                                |                           | REV<br>A           |                    |

| REVISIONS |     |             |      |     |      |
|-----------|-----|-------------|------|-----|------|
| P         | LTR | DESCRIPTION | DATE | DWN | APVD |
| -         | -   | SEE SHEET 1 | -    | -   | -    |

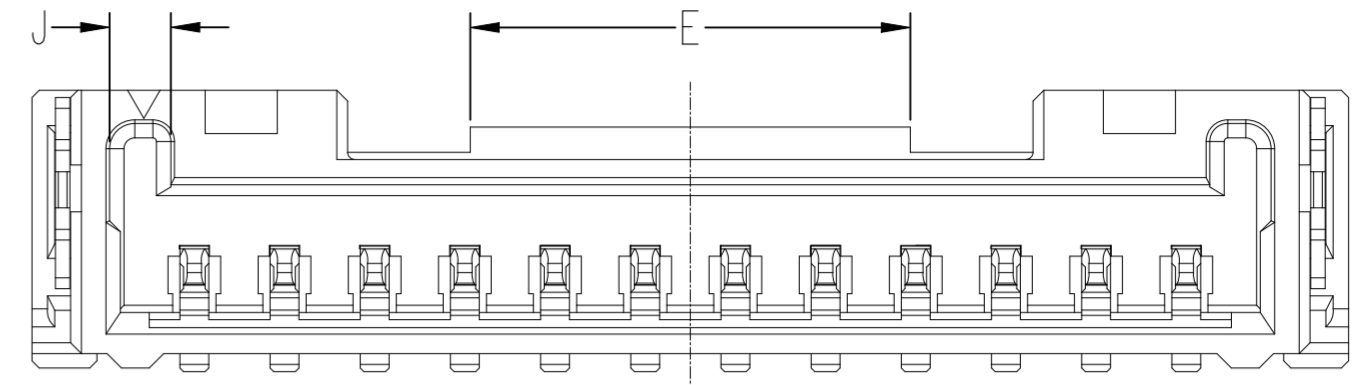
# Drawing for THBL Type



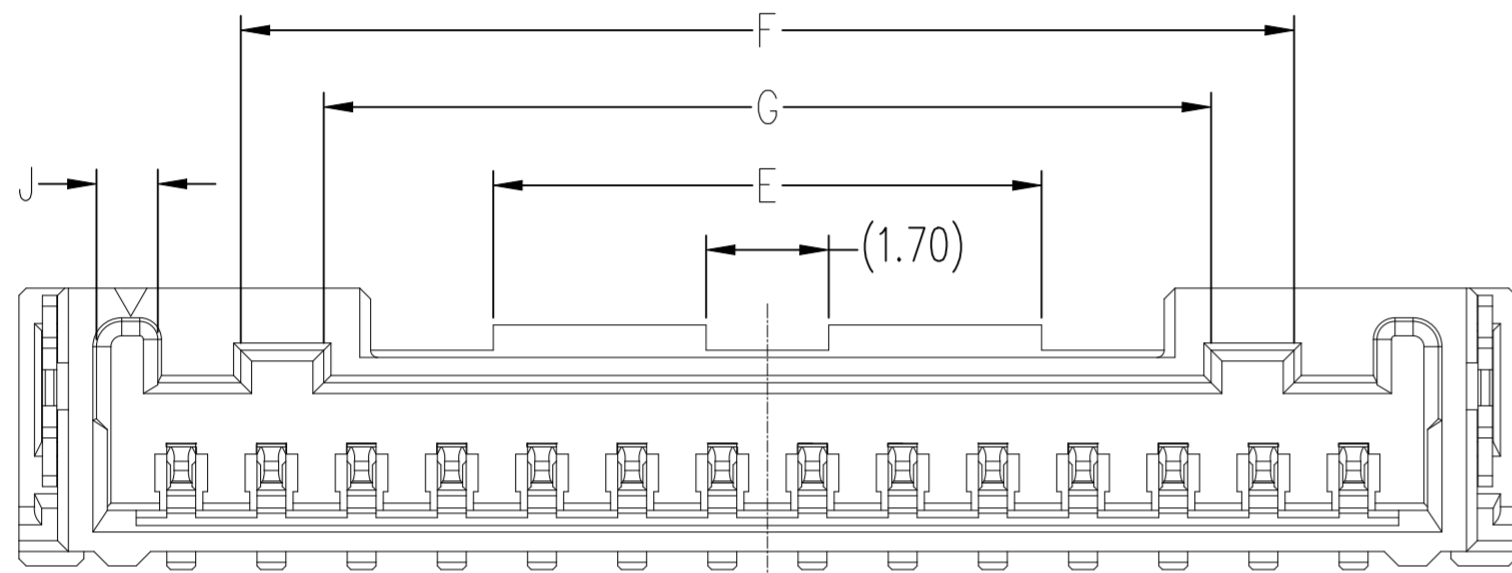
1x(2-6) PIN



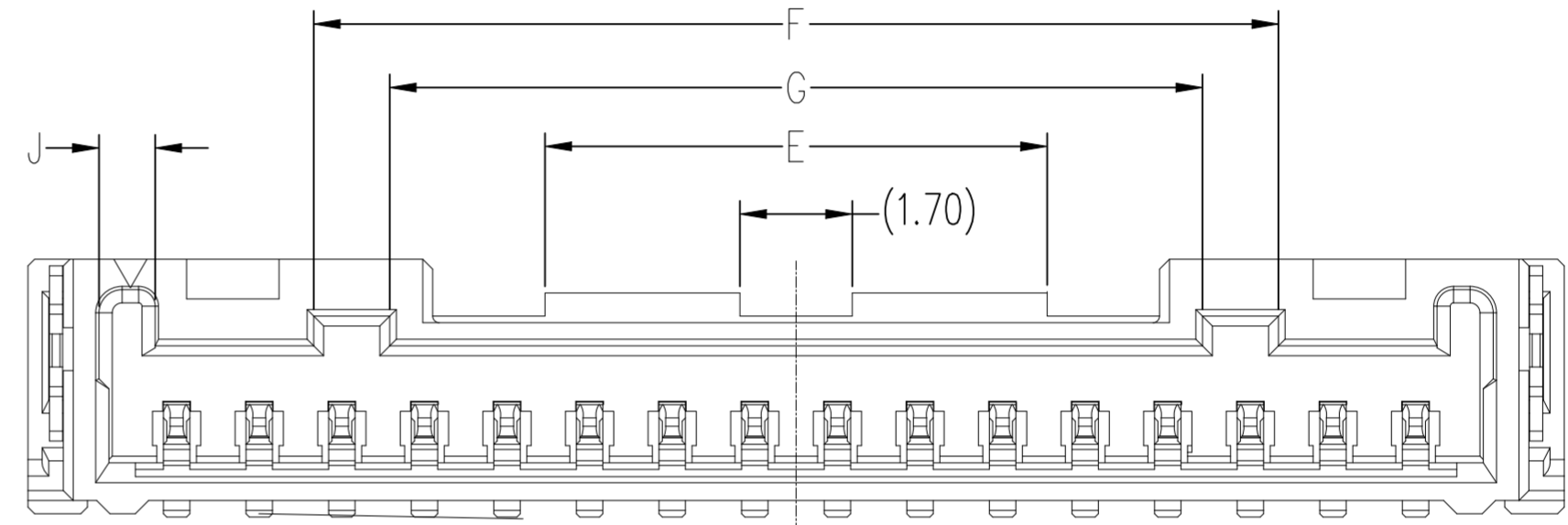
1x(7-11) PIN



1x(12-13) PIN

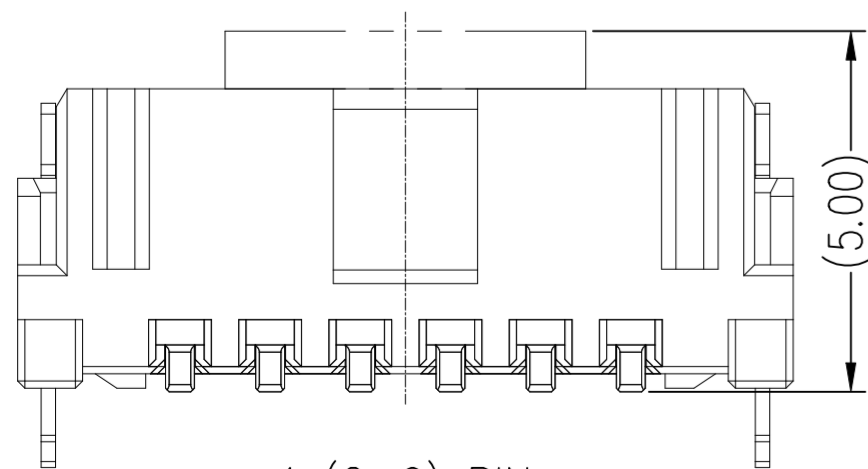
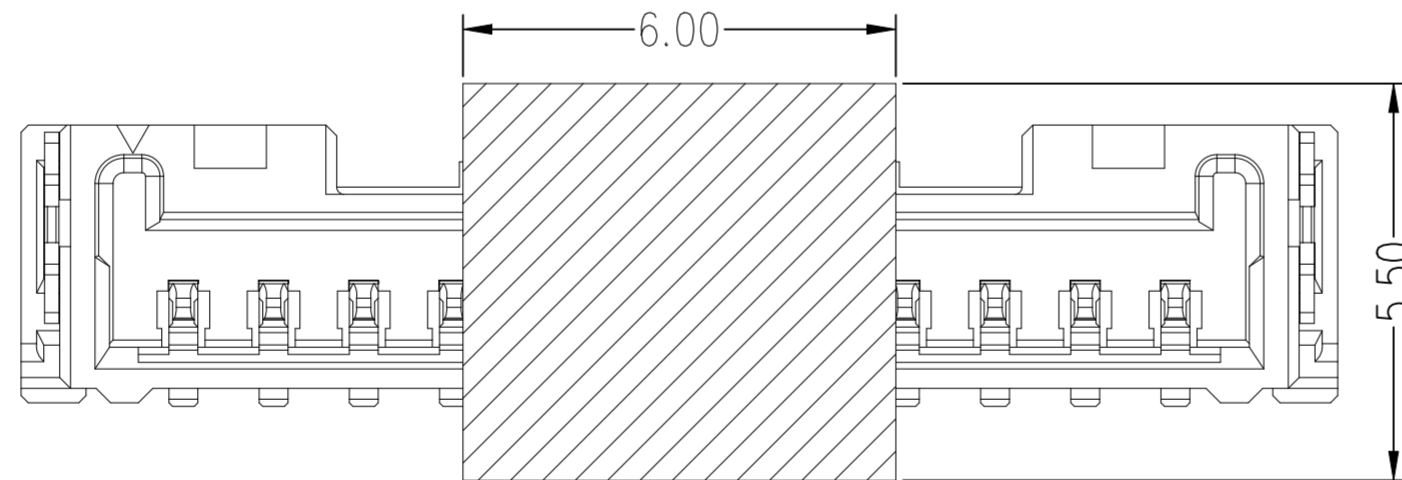
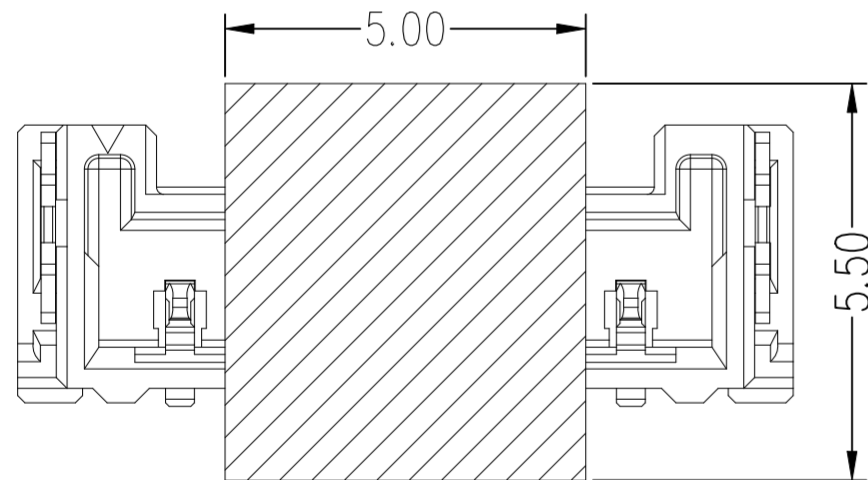


1x14 PIN

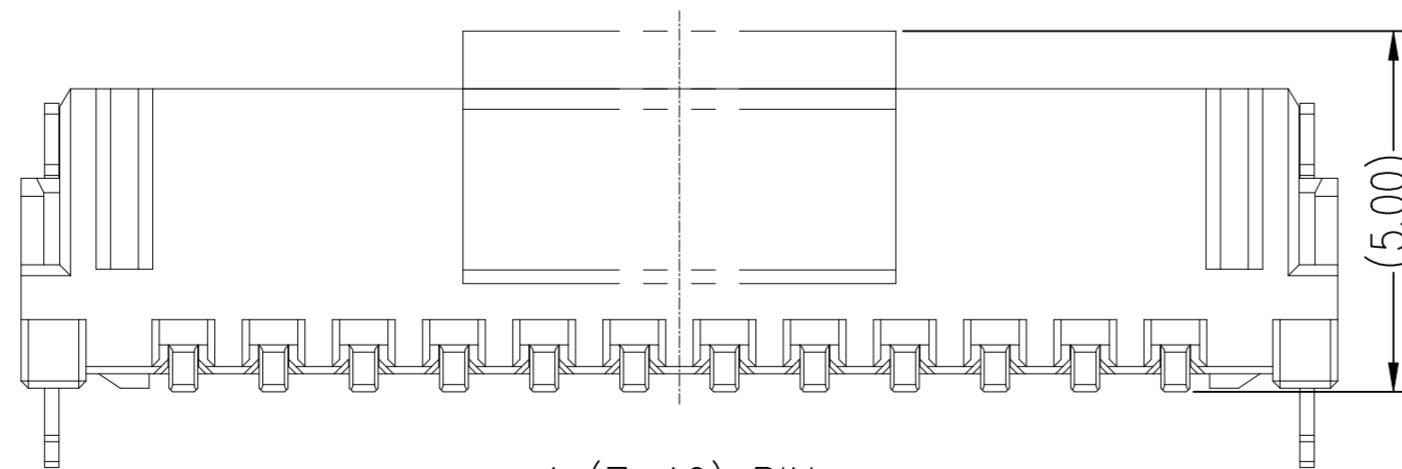


1x(15-16) PIN

## CAP DETAILS



1x(2-6) PIN

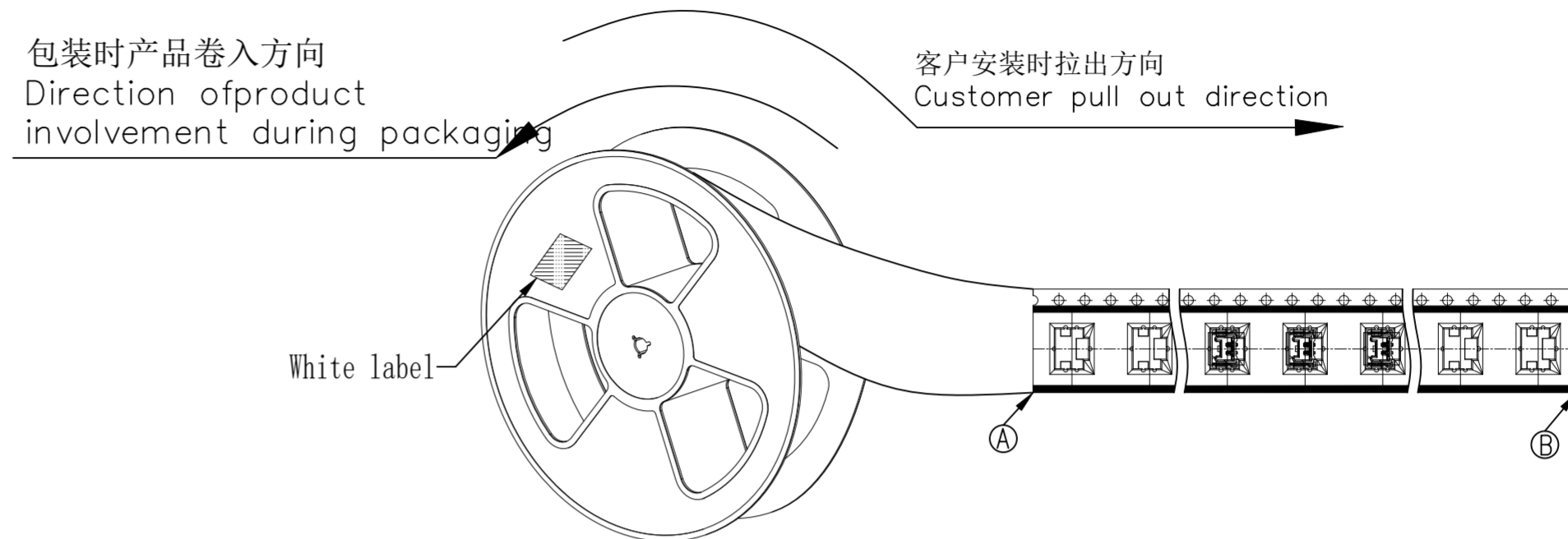
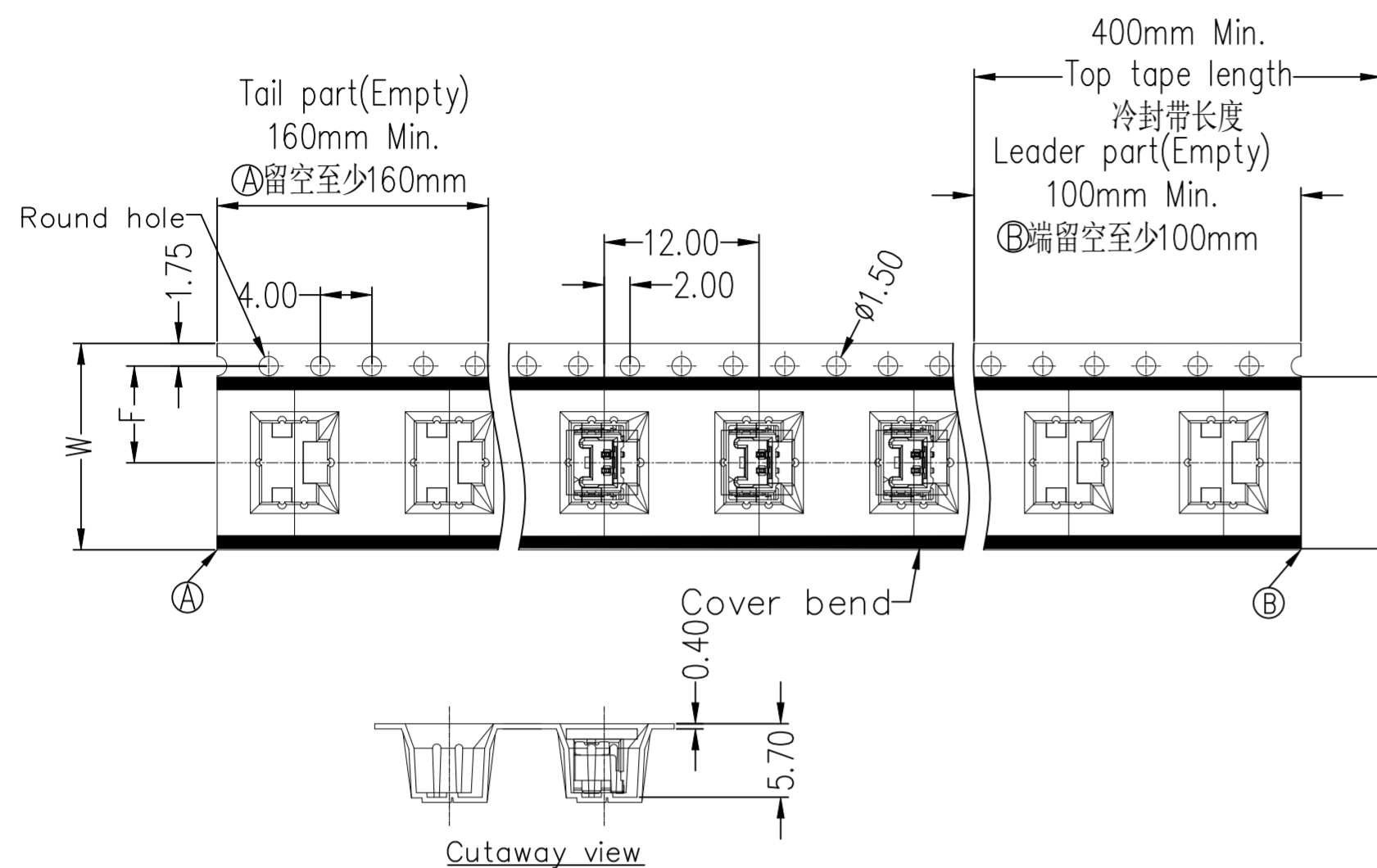


1x(7-16) PIN

|  |  |                          |            |                 |                      |
|--|--|--------------------------|------------|-----------------|----------------------|
| THIS DRAWING IS A CONTROLLED DOCUMENT. |  | DWN Madhan S 10JAN2024   |            |                 |                      |
|  |  | CHK JAGRUTI M 10JAN2024  |            |                 |                      |
|  |  | APVD JAGRUTI M 06FEB2025 | NAME       |                 |                      |
|  |  | PRODUCT SPEC             | -          |                 |                      |
|  |  | APPLICATION SPEC         | 108-161761 |                 |                      |
|  |  | WEIGHT 0                 | SIZE A2    | CAGE CODE 00779 | DRAWING NO C-2496750 |
|  |  | CUSTOMER DRAWING         | SCALE 1:1  | SHEET 4 of 6    | REV A                |

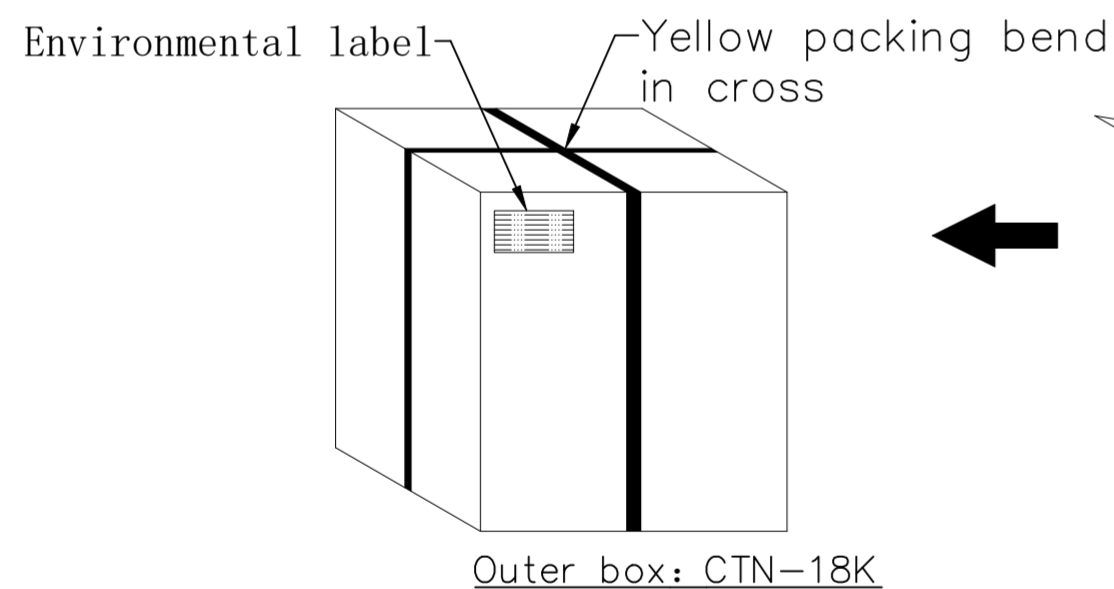
| REVISIONS |     |             |      |     |      |
|-----------|-----|-------------|------|-----|------|
| P         | LTR | DESCRIPTION | DATE | DWN | APVD |
| -         | -   | SEE SHEET 1 | -    | -   | -    |

# Packaging Drawing for SMT Type

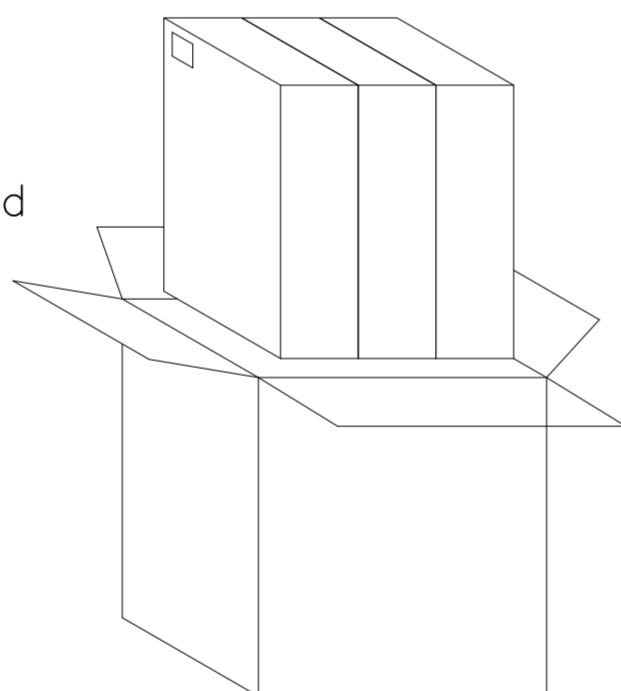


### No.1:

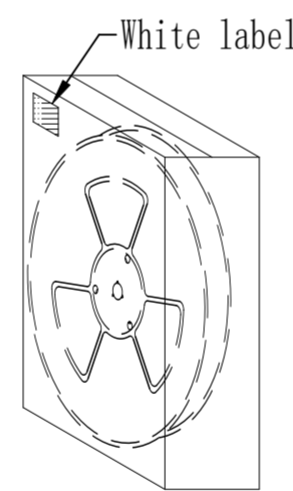
Before package, pay attention to leave more than 160mm(min) empty, after put the products into the carrier groove, packing with the cover bend then, Note: the tension between tape and cover bend is 30g~120g (1000PCS/Reel)



**No.4:**  
Seal,pack,label.



**No.3:**  
Put inner box into outer box, (3pcs inner box/outer box, 12000PCS/outer box) pay attention to the unified label direction.



inner box: CTN-18E

**No.2:**  
Pack the reel in the PE-32 waterproof bag packing, put 1pcs drying agent, seal it with vacuum machine and put it into the inner box, seal it with sealing glue, with labels. (4Reel/inner box, 4000PCS/inner box)

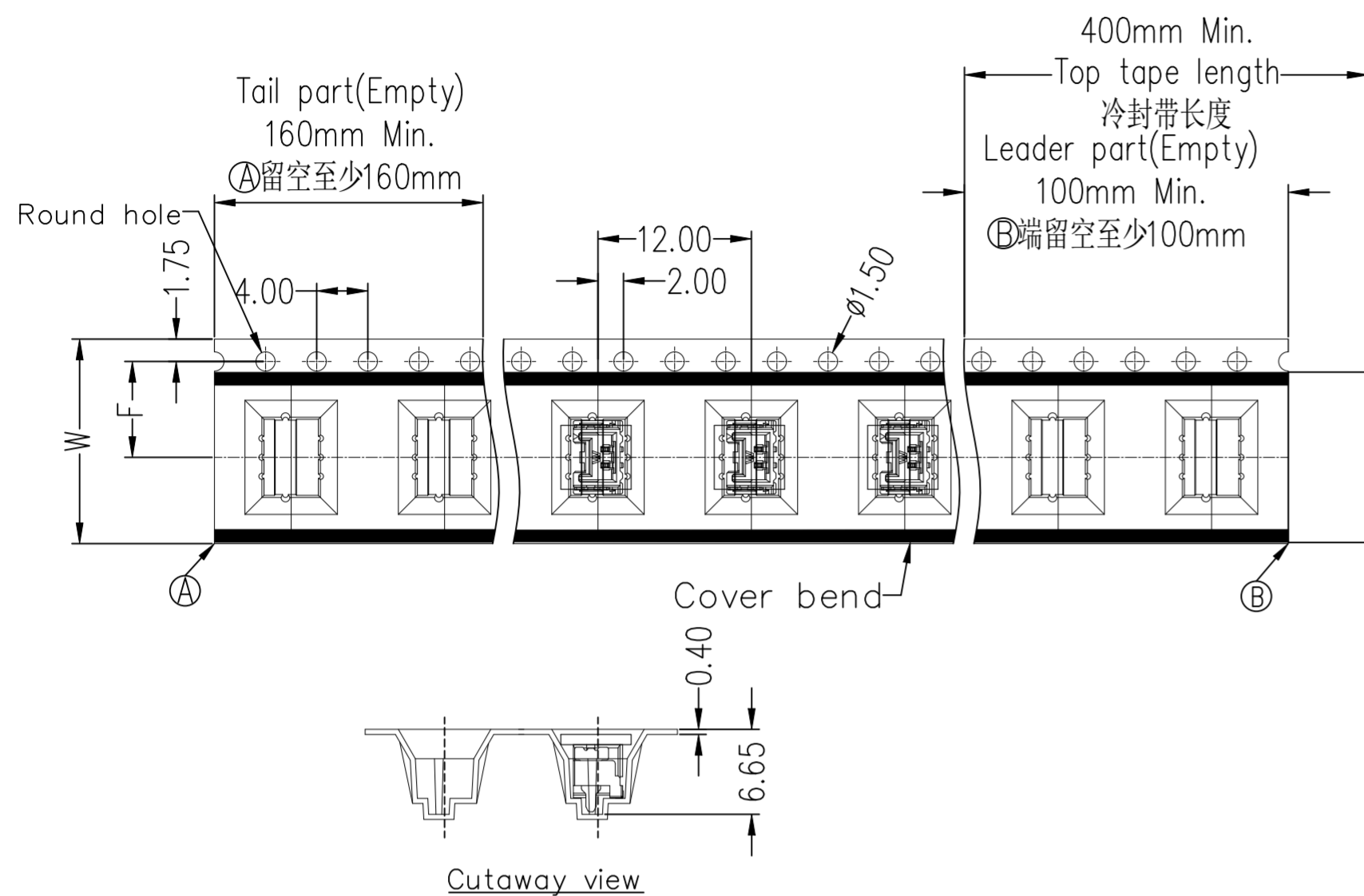
| Pin | W         | S          | F          | PCS/Reel | PCS/inner box | PCS/outer box |
|-----|-----------|------------|------------|----------|---------------|---------------|
| 2   | 16.0±0.30 | \          | 7.50±0.15  | 1000     | 4000          | 12000         |
| 3   | 16.0±0.30 | \          | 7.50±0.15  | 1000     | 4000          | 12000         |
| 4   | 24.0±0.30 | \          | 11.50±0.15 | 1000     | 3000          | 9000          |
| 5   | 24.0±0.30 | \          | 11.50±0.15 | 1000     | 3000          | 9000          |
| 6   | 24.0±0.30 | \          | 11.50±0.15 | 1000     | 3000          | 9000          |
| 7   | 24.0±0.30 | \          | 11.50±0.15 | 1000     | 3000          | 9000          |
| 8   | 24.0±0.30 | \          | 11.50±0.15 | 1000     | 3000          | 9000          |
| 9   | 24.0±0.30 | \          | 11.50±0.15 | 1000     | 3000          | 9000          |
| 10  | 32.0±0.30 | 28.40±0.15 | 14.20±0.15 | 1000     | 2000          | 6000          |
| 11  | 32.0±0.30 | 28.40±0.15 | 14.20±0.15 | 1000     | 2000          | 6000          |
| 12  | 32.0±0.30 | 28.40±0.15 | 14.20±0.15 | 1000     | 2000          | 6000          |
| 13  | 32.0±0.30 | 28.40±0.15 | 14.20±0.15 | 1000     | 2000          | 6000          |
| 14  | 44.0±0.30 | 40.40±0.15 | 20.20±0.15 | 1000     | 2000          | 6000          |
| 15  | 44.0±0.30 | 40.40±0.15 | 20.20±0.15 | 1000     | 2000          | 6000          |
| 16  | 44.0±0.30 | 40.40±0.15 | 20.20±0.15 | 1000     | 2000          | 6000          |

THIS DRAWING IS A CONTROLLED DOCUMENT.

|                  |   |   |  |                 |                           |
|------------------|---|---|--|-----------------|---------------------------|
| DIMENSIONS: mm   | TOLERANCES UNLESS OTHERWISE SPECIFIED:<br>0 PLC ± -<br>1 PLC ± -<br>2 PLC ± 0.25<br>3 PLC ± 0.15<br>4 PLC ± -<br>ANGLES ± - | DWN Madhan S 10JAN2024<br>CHK JAGRUTI M 10JAN2024<br>APVD JAGRUTI M 06FEB2025 | NAME<br>108-161761<br>APPLICATION SPEC | TE Connectivity | 1.25MM WTB HDR SMT & THBL |
| MATERIAL         | FINISH  | WEIGHT 0  | SIZE A2                                | CAGE CODE 00779 | DRAWING NO C=2496750      |
| CUSTOMER DRAWING |   |   | SCALE 1:1                              | SHEET 5 of 6    | REV A                     |

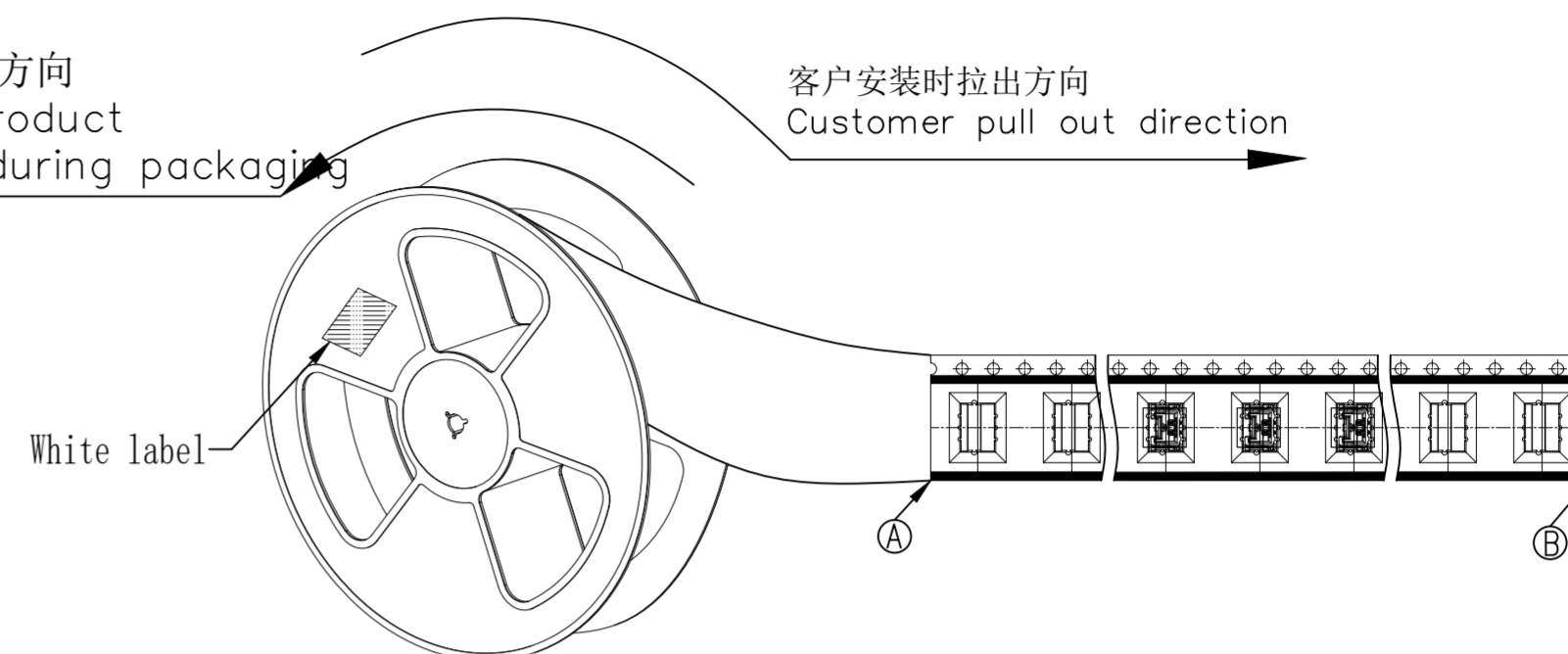
| REVISIONS |     |             |      |     |      |
|-----------|-----|-------------|------|-----|------|
| P         | LTR | DESCRIPTION | DATE | DWN | APVD |
| -         | -   | SEE SHEET 1 | -    | -   | -    |

# Packaging Drawing for THBL Type



包装时产品卷入方向  
Direction of product involvement during packaging

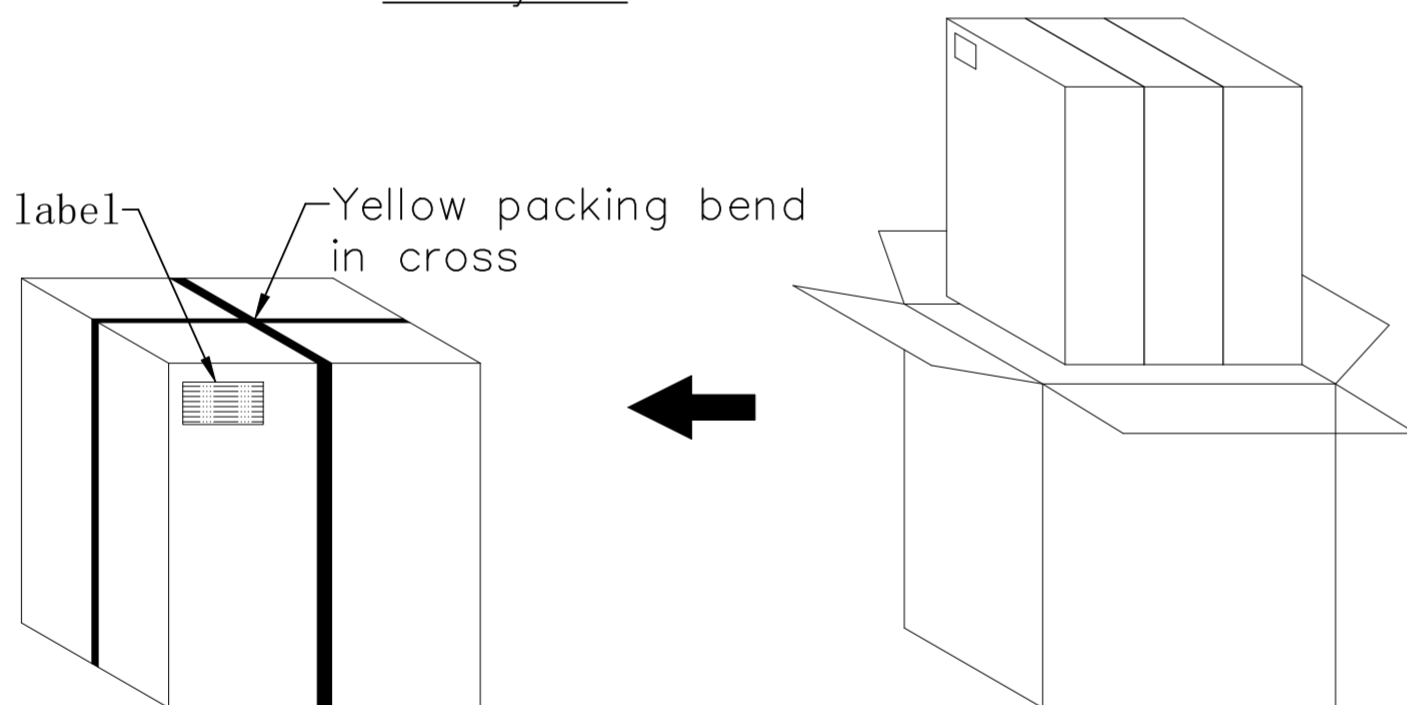
客户安装时拉出方向  
Customer pull out direction



### No.1:

Before package, pay attention to leave more than 160mm(min) empty, after put the products into the carrier groove, packing with the cover bend then, Note: the tension between tape and cover bend is 30g~120g (800PCS/Reel)

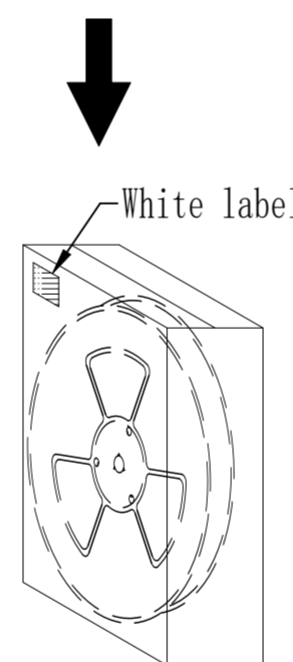
Environmental label  
Yellow packing bend in cross



Outer box: CTN-18K

**No.4:**  
Seal, pack, label.

**No.3:**  
Put inner box into outer box, (3pcs inner box/outer box, 9600PCS/outer box) pay attention to the unified label direction.



inner box: CTN-18E

**No.2:**  
Pack the reel in the PE-32 waterproof bag packing, put 1pcs drying agent, seal it with vacuum machine and put it into the inner box, seal it with sealing glue, with labels. (4Reel/inner box, 3200pcs/inner box)

| PIN | W         | S          | F          | PCS/Reel | PCS/inner box | PCS/outer box |
|-----|-----------|------------|------------|----------|---------------|---------------|
| 02  | 16.0±0.30 | /          | 7.50±0.15  | 800      | 3200          | 9600          |
| 03  | 24.0±0.30 | /          | 11.50±0.15 | 800      | 2400          | 7200          |
| 04  | 24.0±0.30 | /          | 11.50±0.15 | 800      | 2400          | 7200          |
| 05  | 24.0±0.30 | /          | 11.50±0.15 | 800      | 2400          | 7200          |
| 06  | 24.0±0.30 | /          | 11.50±0.15 | 800      | 2400          | 7200          |
| 07  | 24.0±0.30 | /          | 11.50±0.15 | 800      | 2400          | 7200          |
| 08  | 24.0±0.30 | /          | 11.50±0.15 | 800      | 2400          | 7200          |
| 09  | 24.0±0.30 | /          | 11.50±0.15 | 800      | 2400          | 7200          |
| 10  | 32.0±0.30 | 28.40±0.15 | 14.20±0.15 | 800      | 1600          | 4800          |
| 11  | 32.0±0.30 | 28.40±0.15 | 14.20±0.15 | 800      | 1600          | 4800          |
| 12  | 32.0±0.30 | 28.40±0.15 | 14.20±0.15 | 800      | 1600          | 4800          |
| 13  | 44.0±0.30 | 40.40±0.15 | 20.20±0.15 | 800      | 1600          | 4800          |
| 14  | 44.0±0.30 | 40.40±0.15 | 20.20±0.15 | 800      | 1600          | 4800          |
| 15  | 44.0±0.30 | 40.40±0.15 | 20.20±0.15 | 800      | 1600          | 4800          |
| 16  | 44.0±0.30 | 40.40±0.15 | 20.20±0.15 | 800      | 1600          | 4800          |

|   |  |                                |                           |                    |
|---|--|--------------------------------|---------------------------|--------------------|
| THIS DRAWING IS A CONTROLLED DOCUMENT.  |  | DWN<br>Madhan S<br>10JAN2024   |                           |                    |
| DIMENSIONS:<br>mm   |  | CHK<br>JAGRUTI M<br>10JAN2024  |                           |                    |
| TOLERANCES UNLESS OTHERWISE SPECIFIED:  |  | APVD<br>JAGRUTI M<br>06FEB2025 | NAME<br>-                 |                    |
| 0 PLC ± -<br>1 PLC ± -<br>2 PLC ± 0.25<br>3 PLC ± 0.15<br>4 PLC ± -<br>ANGLES ± - |  | PRODUCT SPEC<br>108-161761     | 1.25MM WTB HDR SMT & THBL |                    |
| MATERIAL  |  | FINISH                         | SIZE<br>A2                | CAGE CODE<br>00779 |
|   |  | WEIGHT<br>0                    | DRAWING NO<br>C=2496750   | RESTRICTED TO<br>- |
|   |  | CUSTOMER DRAWING               | SCALE<br>1:1              | SHEET<br>6 of 6    |
|   |  |                                | REV<br>A                  |                    |