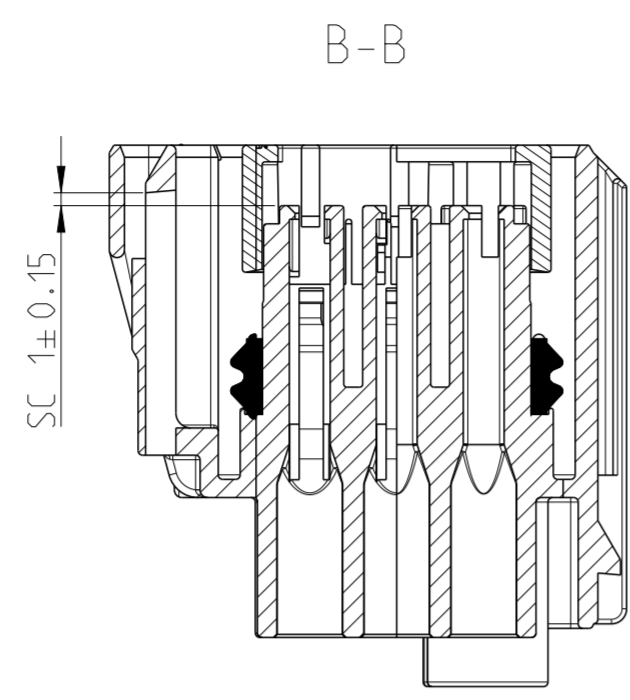
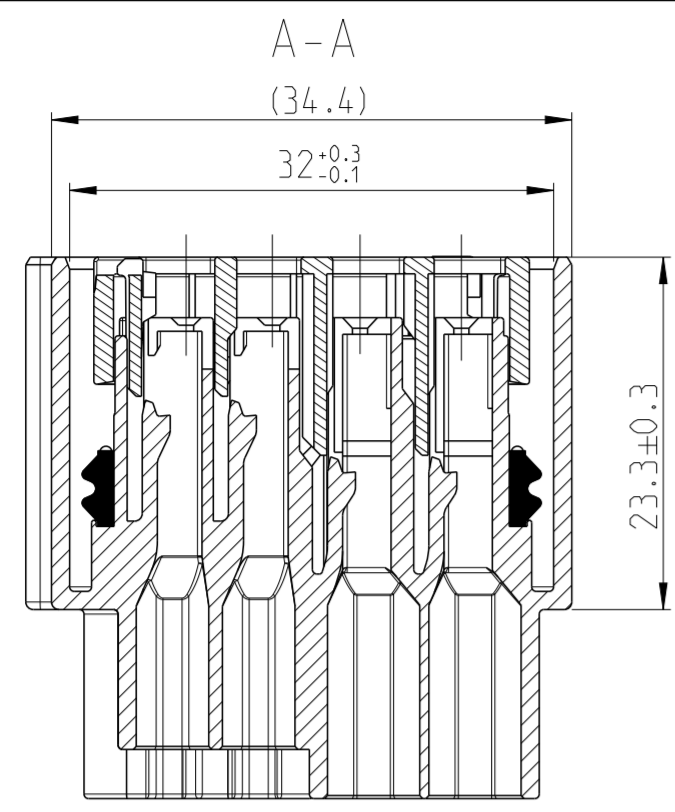


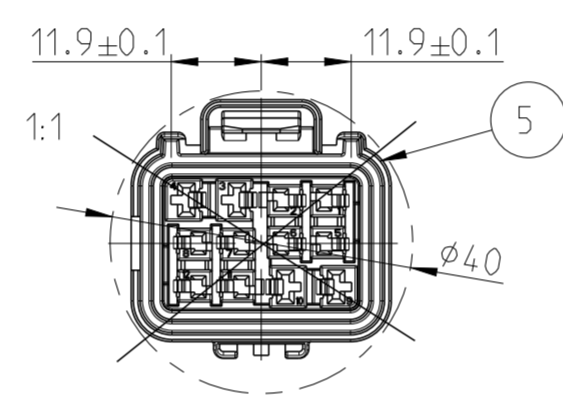
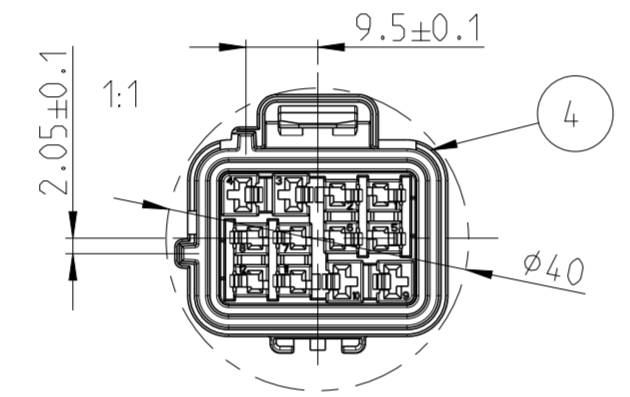
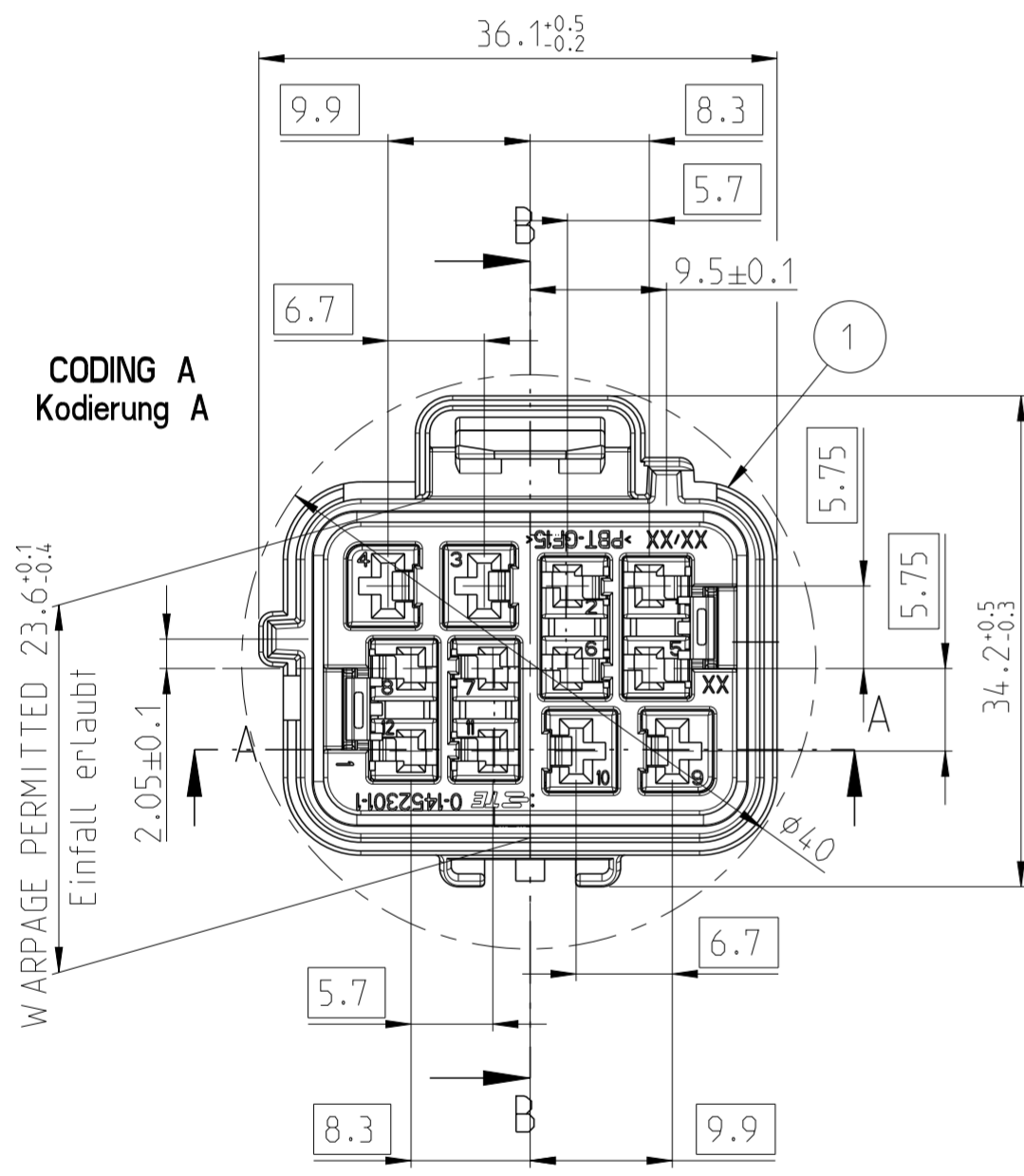
LOC		DIST		REVISIONS			
P	LTR	DESCRIPTION	DATE	DWN	APVD		
G1		ECR-07-012716	30MAY2007	GP	GM		
G2		ECR-20-012259	31AUG2020	VKS	KR		



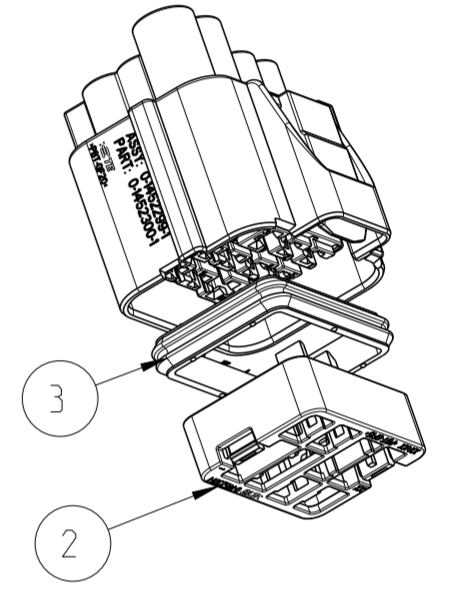
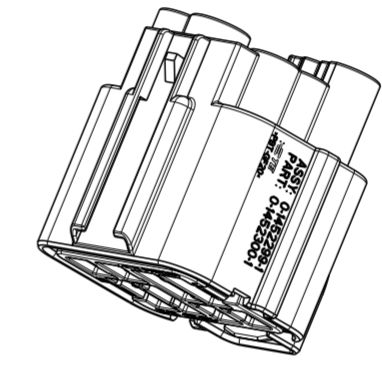
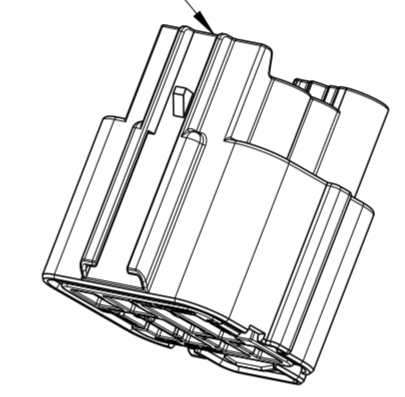
						X	X	X	X	X			2-1452299-1	B
X	X	X	X	X	X	X	X	X	X	X	X	X	0-1452299-3	C
X	X	X	X	X	X	X	X	X	X	X	X	X	0-1452299-2	B
X	X	X	X	X	X	X	X	X	X	X	X	X	0-1452299-1	A
1	2	3	4	5	6	7	8	9	10	11	12	ASSY NO	CODING	

WITH "X" MARKED INDICATE OPEN LOCATIONS FOR TERMINALS
 Markierte Felder mit "X" kennzeichnen offene Kammern fuer Kontakte
 BLANKED CAVITIES INDICATE CLOSED LOCATIONS
 Leere Felder kennzeichnen geschlossene Kammern

1.5MM FEMALE TERMINAL SEALED
 SUITABLE TERMINALS: FORD CAT2 (SUPPLIER YAZAKI)
 2.8MM FEMALE TERMINAL SEALED
 SUITABLE TERMINALS: FORD CAT3 (SUPPLIER YAZAKI OR TYCO)



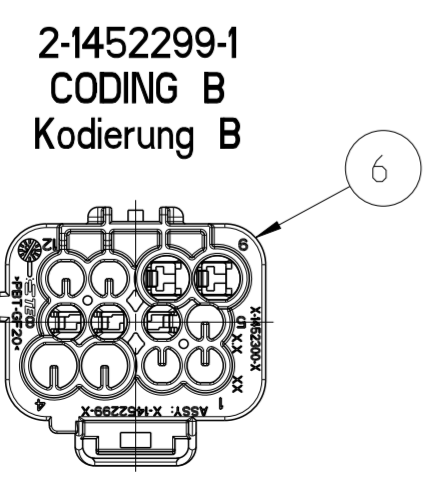
OPTINAL FEATURES:
 Optionale Merkmale:



NOTES:
 Bemerkungen:
 1 DELIVERY CONDITION: SPACER IN PRE LOCK POSITION
 Anlieferungszustand: Spacer in Vorraststellung
 SC SIGNIFICANT CHARACTERISTIC
 Significantes Merkmal

G2 APPLICABLE COMPONENTS				
ITEM	DESCRIPTION	PLATING/MATERIAL	TE PART NO.	YAZAKI PART NO.
1	1.5mm FEMALE TERMINAL SYSTEM (0.35-0.5mm2)	TIN	-	7116-4102-02
	1.5mm FEMALE TERMINAL SYSTEM (0.75-1.0mm2)	TIN	-	7116-4103-02
2	WIRE SEAL (1.5mm) (0.35-0.5mm2) (RED)	SILICONE	-	7158-3030-50
3	WIRE SEAL (1.5mm) (0.75-1.0mm2) (BLUE)	SILICONE	-	7158-3031-90
4	BLIND PLUG (1.5mm) (GREEN)	SILICONE	-	7158-3032-60
5	2.8mm FEMALE TERMINAL SYSTEM (0.35mm2)	TIN	0-1326032-1	-
	2.8mm FEMALE TERMINAL SYSTEM (0.5mm2)	TIN	0-1326032-2	-
	2.8mm FEMALE TERMINAL SYSTEM (0.75-1.0mm2)	TIN	0-1326032-3	-
	2.8mm FEMALE TERMINAL SYSTEM (AW G16)	TIN	0-1326032-4	-
	2.8mm FEMALE TERMINAL SYSTEM (1.5-2.5mm2)	TIN	0-1326032-5	-
6	WIRE SEAL (2.8mm) (0.35-0.5mm2) (GREEN)	SILICONE	-	7158-3111-60
7	WIRE SEAL (2.8mm) (0.75-1.0mm2) (YELLOW)	SILICONE	-	7158-3112-70
8	WIRE SEAL (2.8mm) (1.5-2.5mm2) (WHITE)	SILICONE	-	7158-3113-40
9	BLIND PLUG (2.8mm) (BLUE)	SILICONE	-	7158-3114-90

QTY	DESCRIPTION	UNIT	REVISION	REVISION OF EACH ASSY NO (WHEN BLANK, USE DWG REVISION)	WEIGHT OF EACH ASSY NO [g]	TYCO ASSY PN	CODING	MATING COMPONENT TYCO ASSY PN	PARTS LIST
1x						PBT-GF20	FEMALE HSG. CODING B	green	6
	1x					PBT-GF20	FEMALE HSG. CODING C	nature	5
		1x				PBT-GF20	FEMALE HSG. CODING B	green	4
1x	1x	1x	1x			SILICON	PERIPHERAL SEAL	orange	3
1x	1x	1x	1x			PBT-GF15	SPACER	red	2
			1x			PBT-GF20	FEMALE HSG. CODING A	black	1
G		G	G			MATERIAL	DESCRIPTION	COLOUR	ITEM NO
19.2	-	19.2	19.2			REVISION OF EACH ASSY NO (WHEN BLANK, USE DWG REVISION)			
2-1452299-1	0-1452299-3	0-1452299-2	0-1452299-1			WEIGHT OF EACH ASSY NO [g]			
B	C	B	A			TYCO ASSY PN			
2-1452303-1	0-1452303-3	0-1452303-2	0-1452303-1			CODING			
MATING COMPONENT TYCO ASSY PN									
PARTS LIST									



-1 AS SHOWN
 wie gezeichnet

THIS DRAWING IS A CONTROLLED DOCUMENT FOR TYCO ELECTRONICS CORPORATION
 IT IS SUBJECT TO CHANGE AND THE CONTROLLING ENGINEERING ORGANIZATION
 SHOULD BE CONTACTED FOR THE LATEST REVISION.

DWN: S. Denter 15JUL2002
 CHK: G. PUCKEL 04OCT2002
 APVD: G. MUMPER 04OCT2002

tyco Electronics AMP GmbH
 D - 64625 Bensheim

NAME: 12 POS. INLINER TO REAR BUMPER CON. ASSY FEMALE HOUSING

SIZE: A2 CAGE CODE: 00779 DRAWING NO: G-1452299 RESTRICTED TO: G2

SCALE: 2:1 SHEET 1 OF 1

Mouser Electronics

Authorized Distributor

Click to View Pricing, Inventory, Delivery & Lifecycle Information:

[TE Connectivity:](#)

[1452299-1](#)