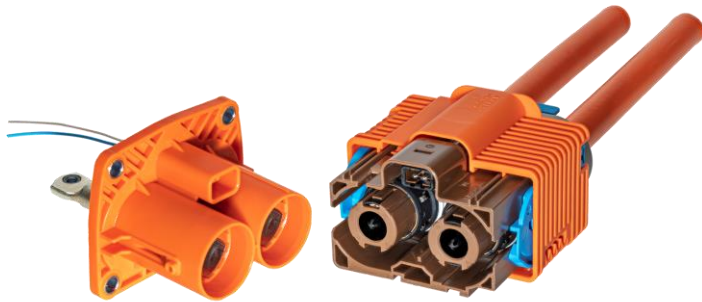


# SHIELDPACK™

## HV RCS1200 SI 2 WAY

### STATUS

SERIAL



### AVAILABLE CONFIGURATIONS

Connector Type	Wire-to-Device
Cable Exit Orientation	180°
Cable Range (mm <sup>2</sup> )	35 - 95
Terminal Type	12 mm round contact system
# of Power Terminals	2
Shielding	Individual
HVIL	Shunt on female
Assembly Assurance	CPA
Number of Indexes	2

### BENEFITS

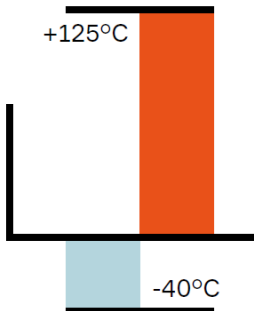
- High-water protections resulting from sealed unmated header
- Easy assembly thanks to slider feature on female connector
- Strain Relief Device ensures product performance in constrained environment

### FEATURES

- Header has flat and simple device interface
- Two-stage disconnect for safe un-mating
- 2 gear cam architecture for efficient mating effort reduction

### PERFORMANCE

TEMP RANGE



MAX CURRENT AT 85°C



ELECTRICAL PROTECTION



MAX DC VOLTAGE



VIBRATION LEVEL



\* For classification V2 please consult an Aptiv representative.

SEALING CLASS



### APPLICATIONS

DC / DC converter

HV battery

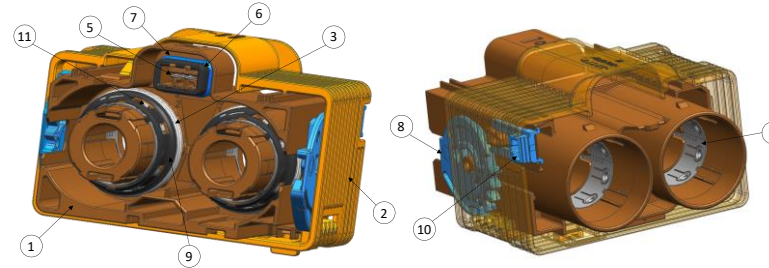
E-motor

# SHIELDPACK™

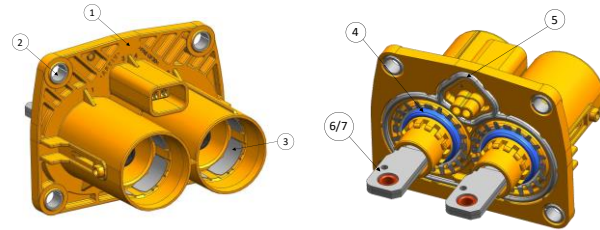
## HV RCS1200 SI 2 WAY

### DETAILED BOM

Header connector 35464886 / 35716978	Mating connector 35561611
---	------------------------------



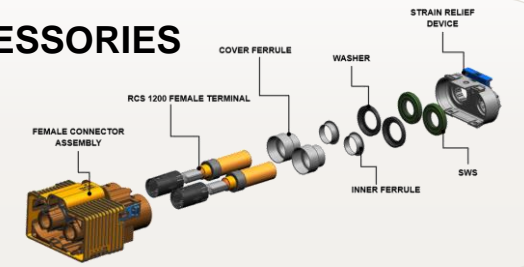
3D VIEWS	COMPONENTS	APN
	MALE CONNECTOR « SHORT »	35464886
	MALE CONNECTOR « LONG »	35716978



SL.NO	QTY	COMPONENTS	3D VIEWS	APN
1	1	HEADER HOUSING		35464863
2	4	METALLIC INSERT		33272652
3	2	UNIT SHIELD		35464881
4	2	PIN CHIMNEY SEAL		35464879
5	1	INTERFACE SEAL		33501740
6	1	TERMINAL RCS1200 « SHORT »		35443590
7	1	TERMINAL RCS1200 « LONG »		35748476

SL.NO	QTY	COMPONENTS	3D VIEWS	APN
1	1	PLUG HOUSING		35464695
2	1	SLIDER		35082102
3	2	UNIT SEAL		35464771
4	2	REAR SHIELD		35551319
5	1	SHUNT		33296962
6	1	INTERLOCK CAP		35082113
7	1	INTERLOCK SEAL		33501739
8	2	GEAR CAM		35464780
9	2	PLASTIC CAP		35464782
10	2	CPA		35464781
11	2	INTERFACE SHIELD		35464784

### ACCESSORIES



QTY	COMPONENTS	3D VIEWS	APN	WIRE SECTION
1	FEMALE CONNECTOR		35561611	35-95 mm <sup>2</sup>
2	RCS1200 FEMALE TERMINAL		35454328	35-60 mm <sup>2</sup>
			35443592	70-95 mm <sup>2</sup>
2	WASHER		35554831	35 mm <sup>2</sup>
			35604916	50 mm <sup>2</sup>
			35563248	70 mm <sup>2</sup>
2	INNER FERRULE		35628301	35 mm <sup>2</sup>
			35628300	50 mm <sup>2</sup>
			35628299	70 mm <sup>2</sup>
2	OUTER FERRULE		35619070	35 mm <sup>2</sup>
			35347217	50 mm <sup>2</sup>
			35339328	70 mm <sup>2</sup>
1	SWS		35464874	35 mm <sup>2</sup>
			35639386	50 mm <sup>2</sup>
1	STRAIN RELIEF DEVICE		35464786	70 mm <sup>2</sup>
			35464889	35 mm <sup>2</sup>
			35639387	50 mm <sup>2</sup>
			35464793	70 mm <sup>2</sup>

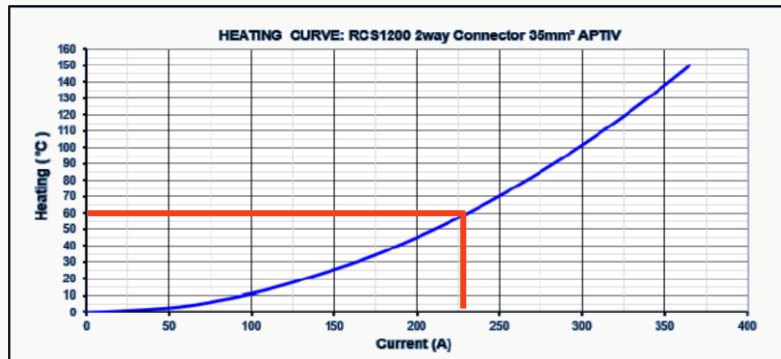
# SHIELDPACK™

## HV RCS1200 SI 2 WAY

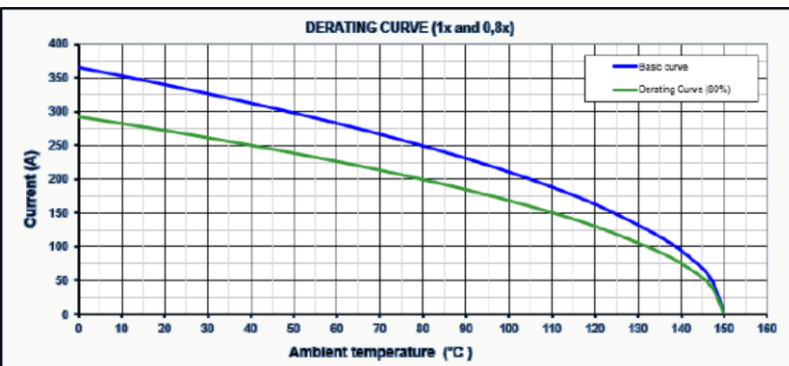
### DERATING CURVES (IN HOUSING)



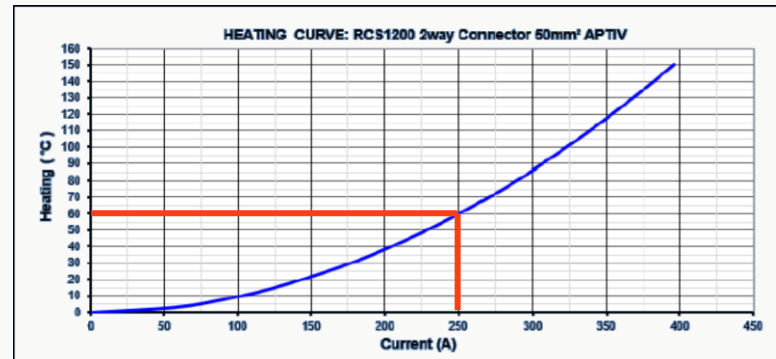
### 35 MM<sup>2</sup>



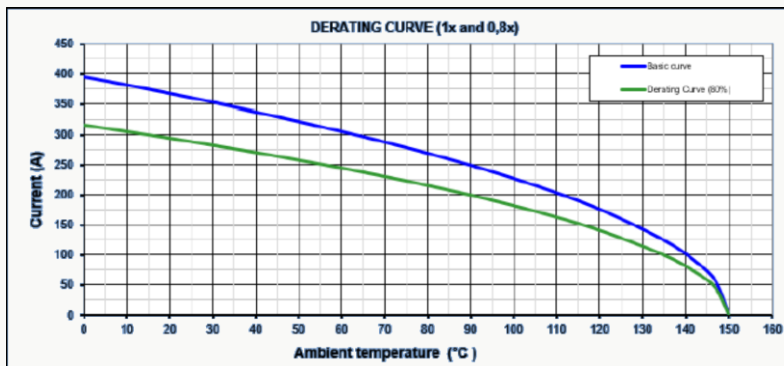
Current for 60°heating : **231.1A**



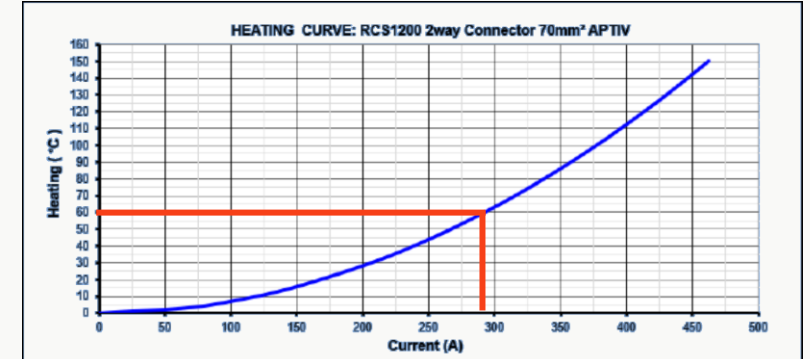
### 50 MM<sup>2</sup>



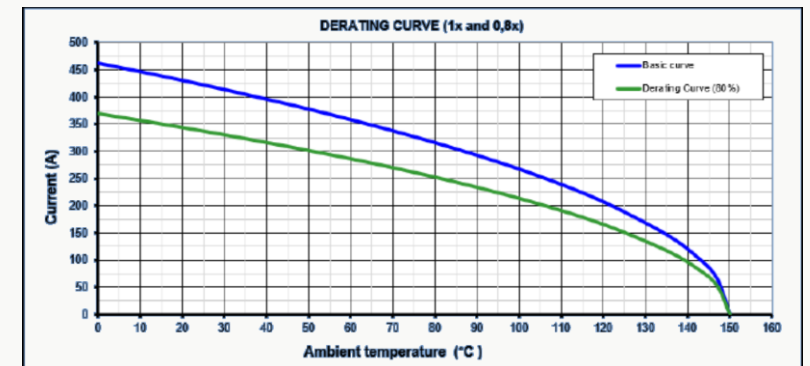
Current for 60°heating : **250.3A**



### 70 MM<sup>2</sup>



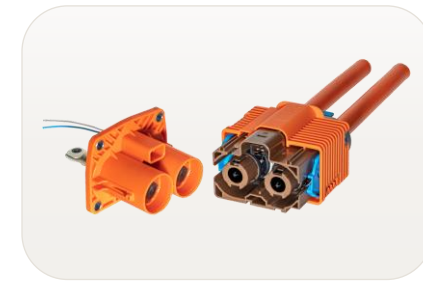
Current for 60°heating : **292.2A**

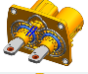
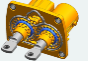


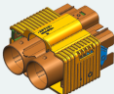
# SHIELDPACK™

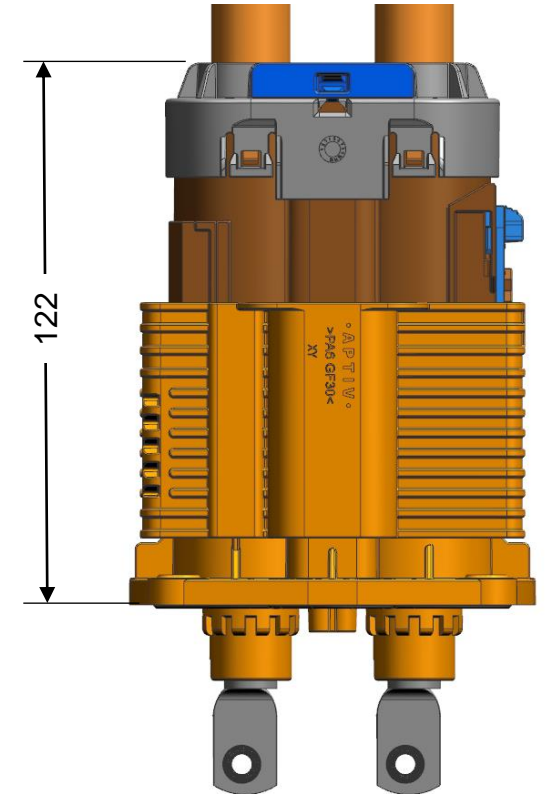
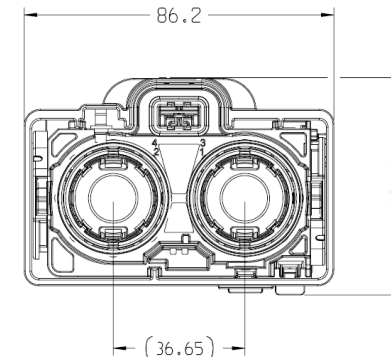
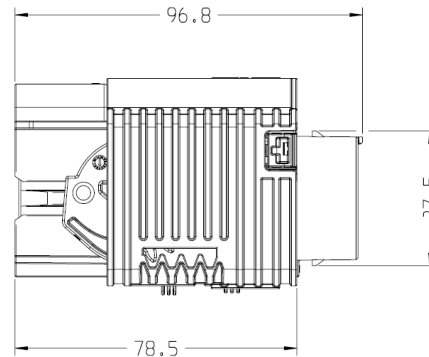
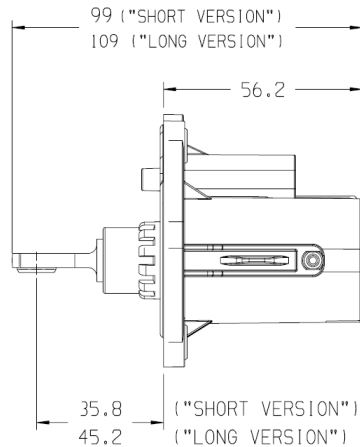
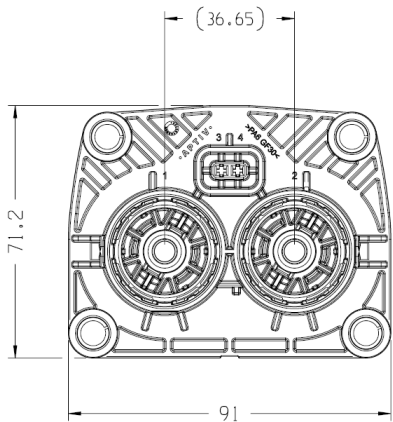
## HV RCS1200 SI 2 WAY

### OVERALL DIMENSIONS



3D VIEWS	COMPONENTS	APN
	MALE CONNECTOR « SHORT »	35464886
	MALE CONNECTOR « LONG »	35716978

3D VIEWS	COMPONENTS	APN
	FEMALE CONNECTOR	35561611



**MATED CONDITION**

# Mouser Electronics

Authorized Distributor

Click to View Pricing, Inventory, Delivery & Lifecycle Information:

[Aptiv:](#)

[35347217](#) [35339328](#) [35619070](#) [35554831](#) [35604916](#) [35561611](#) [35628299](#) [35464874](#) [35716978](#) [35464889](#)  
[35464793](#) [35628300](#) [35443592](#) [35639387](#) [35628301](#) [35563248](#) [35464786](#) [35639386](#) [35464886](#) [35454328](#)