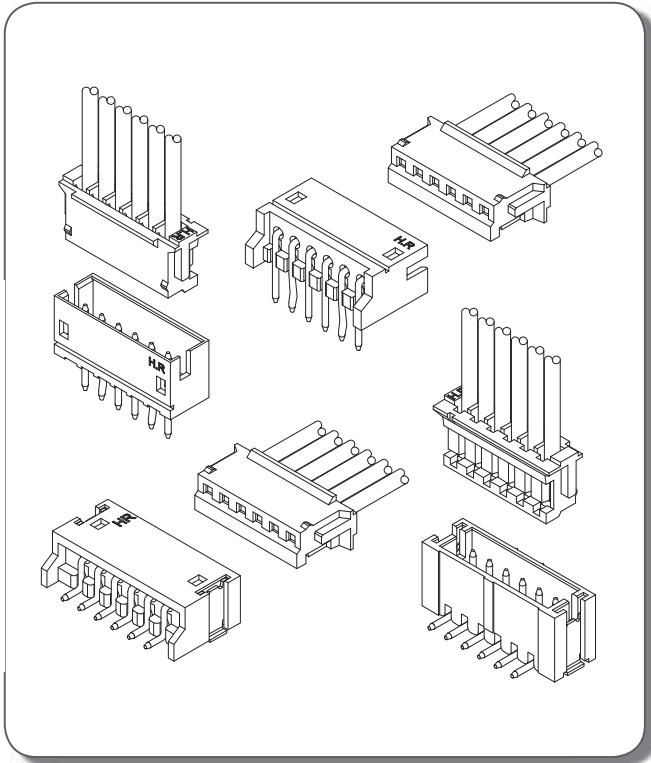




A1500 SERIES

1.50mm pitch wire to board connector



Specifications

- Current rating: 1A AC,DC
- Voltage rating: 100V AC,DC
- Temperature range: -25°C ~ +85°C
- Contact resistance: 20mΩ Max.
- Insulation resistance: 500MΩ Min.
- Withstanding voltage: 500V AC/minute
- *Contact H.R for details*

Standards

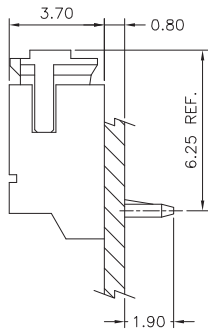


E179987

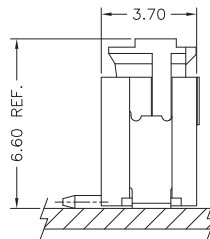
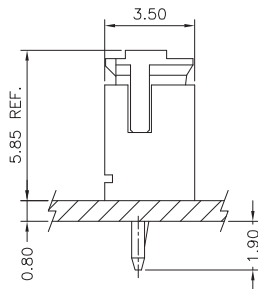


LR113464

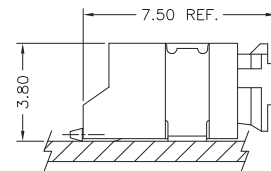
Assembly layout



DIP TYPE



SMT TYPE



Ordering code

① ② ③ ④ ⑤
A1500-T P E -H

- ① Series No.
- ② Plating code: T=Tin-plated, G=Gold-flash
- ③ Material: P=Phosphor bronze
- ④ E=Stamping before plating
- ⑤ Option code:
-H=For AWG#24-#30 wire

① ② ③
A1500 H-05P

- ① Series No.
- ② H=Housing
- ③ No. of circuits

① ② ③ ④ ⑤
A1500 WV -S-05P D01

- ① Series No.
- ② Connector type: WV=Vertical, WR=Right angle
- ③ Mounting type: Blank=Through hole
-S=SMT
- ④ No. of circuits
- ⑤ Option code:
46G=Nylon 46, Gold-flash(Through hole type only)
D01=Gold-flash, Taping reel(SMT type only)
DA1=Gold-flash, Taping reel(SMT-A type only)



A1500 SERIES

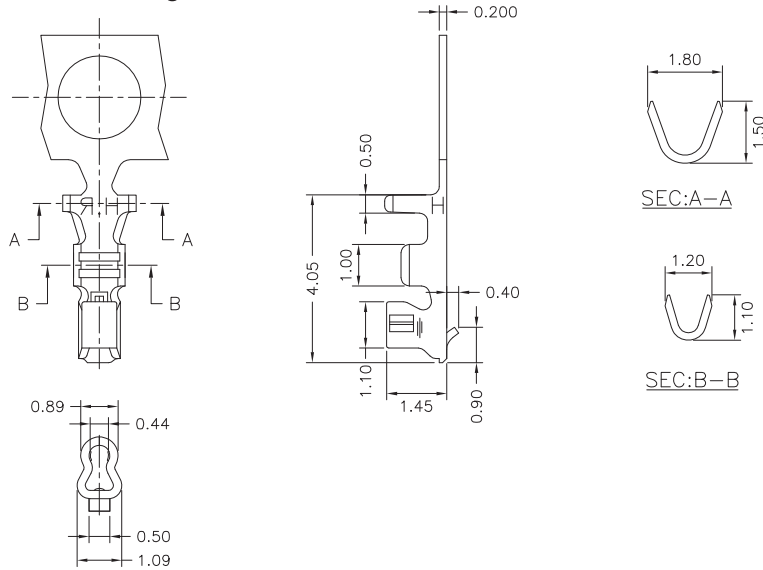
1.50mm pitch wire to board connector

A1500-T

1.50mm pitch Crimp Terminal

Reference Informations:

*Used in H.R A1500 series Housing



Ordering Information & Specifications:

Unit:mm

| Part No. | Wire Range | Insulation O.D. | Material | Finish | Qty/reel |
|-----------|------------|-----------------|-----------------|------------|-----------|
| A1500-TPE | AWG#26-#32 | 1.10mm(max) | Phosphor Bronze | Tin-plated | 15,000pcs |
| A1500-GPE | AWG#26-#32 | 1.10mm(max) | Phosphor Bronze | Gold-flash | 15,000pcs |

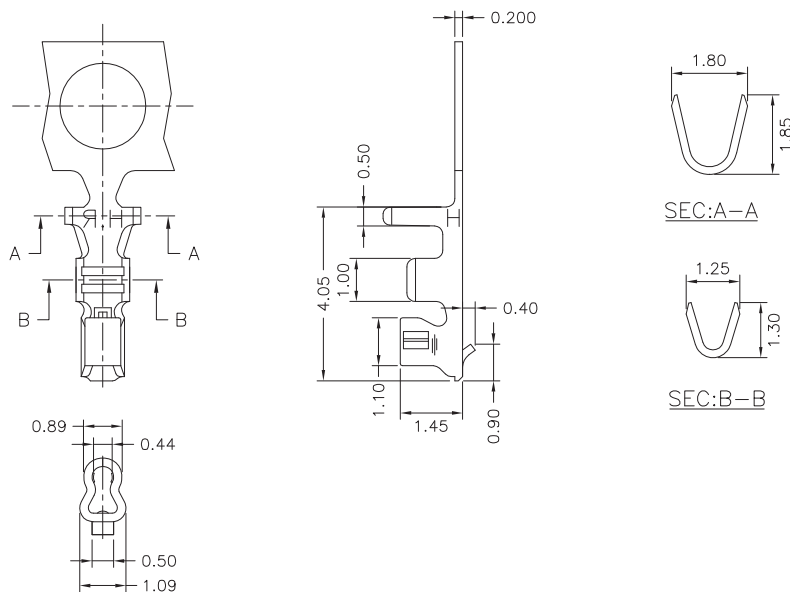
Note:E-Stamping before Tin-plated or Gold-flash

A1500-T

1.50mm pitch Crimp Terminal

Reference Informations:

*Used in H.R A1500 series Housing



Ordering Information & Specifications:

Unit:mm

| Part No. | Wire Range | Insulation O.D. | Material | Finish | Qty/reel |
|-------------|------------|-----------------|-----------------|------------|-----------|
| A1500-TPE-H | AWG#24-#30 | 1.10mm(max) | Phosphor Bronze | Tin-plated | 15,000pcs |

Note:E-Stamping before Tin-plated



A1500 SERIES

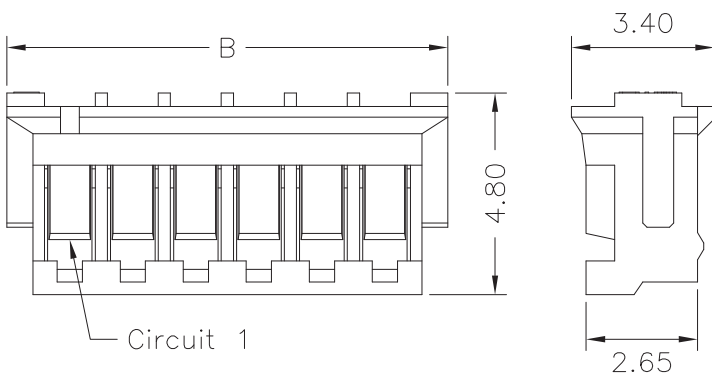
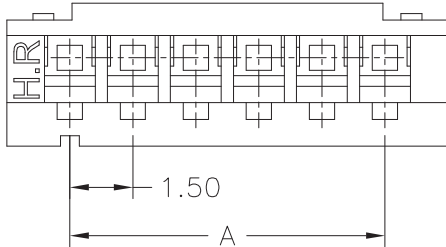
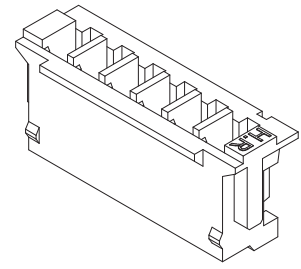
1.50mm pitch wire to board connector

A1500H — 1.50mm pitch Housing

Reference Informations:

- *Material: Nylon 66,UL94V-0
- *Suitable H.R A1500 series Terminal
- *Mates with H.R A1500 series Wafer

| | | | | | | | |
|--|----------------------------|---------------------------|------------------|--------------------------------|-------------------------------|----------------------------|-----------------------|
| | A1500H-05P N 0 W NP N 00 G | | | | | | |
| | ① | ② | ③ | ④ | ⑤ | ⑥ | ⑦ |
| | ① N=Halogen Free | ② Material: 0=Nylon 66-V0 | ③ Color: W=White | ④ Plating code: NP=Non-plating | ⑤ Plating code: N=Non-plating | ⑥ Option code: 00=Standard | ⑦ Packing code: G=Bag |



Ordering Information & Dimensions:

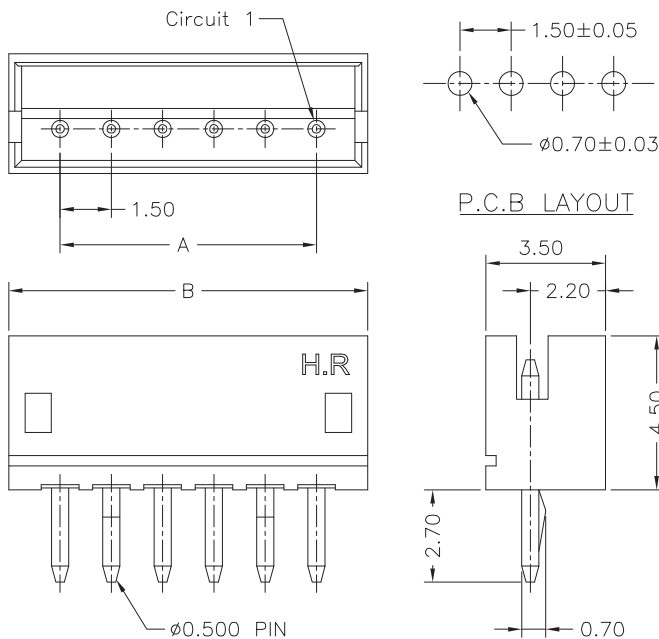
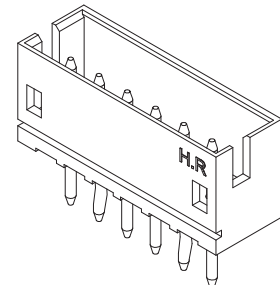
| PART NO. | Dimensions | |
|------------|------------|-------|
| | A | B |
| A1500H-02P | 1.50 | 4.50 |
| A1500H-03P | 3.00 | 6.00 |
| A1500H-04P | 4.50 | 7.50 |
| A1500H-05P | 6.00 | 9.00 |
| A1500H-06P | 7.50 | 10.50 |
| A1500H-07P | 9.00 | 12.00 |
| A1500H-08P | 10.50 | 13.50 |
| A1500H-09P | 12.00 | 15.00 |
| A1500H-10P | 13.50 | 16.50 |
| A1500H-11P | 15.00 | 18.00 |
| A1500H-12P | 16.50 | 19.50 |
| A1500H-13P | 18.00 | 21.00 |
| A1500H-15P | 21.00 | 24.00 |

Unit:mm

A1500WV — 1.50mm pitch 180° Wafer

Reference Informations:

- *Material: Pin: Brass/Tin-plated
Wafer: Nylon 66,UL94V-0
- *Mates with H.R A1500 series Housing
- *Nylon 46 is available



Ordering Information & Dimensions:

| PART NO. | Dimensions | |
|-------------|------------|-------|
| | A | B |
| A1500WV-02P | 1.50 | 4.50 |
| A1500WV-03P | 3.00 | 6.00 |
| A1500WV-04P | 4.50 | 7.50 |
| A1500WV-05P | 6.00 | 9.00 |
| A1500WV-06P | 7.50 | 10.50 |
| A1500WV-07P | 9.00 | 12.00 |
| A1500WV-08P | 10.50 | 13.50 |
| A1500WV-09P | 12.00 | 15.00 |
| A1500WV-10P | 13.50 | 16.50 |
| A1500WV-11P | 15.00 | 18.00 |
| A1500WV-12P | 16.50 | 19.50 |
| A1500WV-13P | 18.00 | 21.00 |
| A1500WV-15P | 21.00 | 24.00 |

Unit:mm



A1500 SERIES

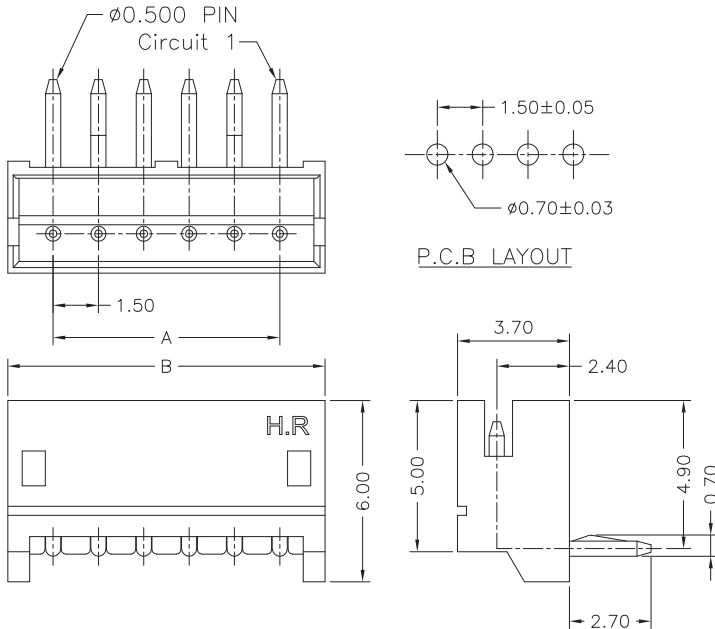
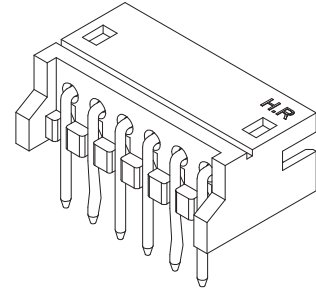
1.50mm pitch wire to board connector

A1500WR

—1.50mm pitch 90° Wafer—

Reference Informations:

- *Material: Pin: Brass/Tin-plated
Wafer: Nylon 66,UL94V-0
- *Mates with H.R A1500 series Housing
- *Nylon 46 is available



Ordering Information & Dimensions:

| PART NO. | Dimensions | |
|-------------|------------|-------|
| | A | B |
| A1500WR-02P | 1.50 | 4.50 |
| A1500WR-03P | 3.00 | 6.00 |
| A1500WR-04P | 4.50 | 7.50 |
| A1500WR-05P | 6.00 | 9.00 |
| A1500WR-06P | 7.50 | 10.50 |
| A1500WR-07P | 9.00 | 12.00 |
| A1500WR-08P | 10.50 | 13.50 |
| A1500WR-09P | 12.00 | 15.00 |
| A1500WR-10P | 13.50 | 16.50 |
| A1500WR-11P | 15.00 | 18.00 |
| A1500WR-12P | 16.50 | 19.50 |
| A1500WR-13P | 18.00 | 21.00 |
| A1500WR-15P | 21.00 | 24.00 |

Unit:mm

A1500WV-S

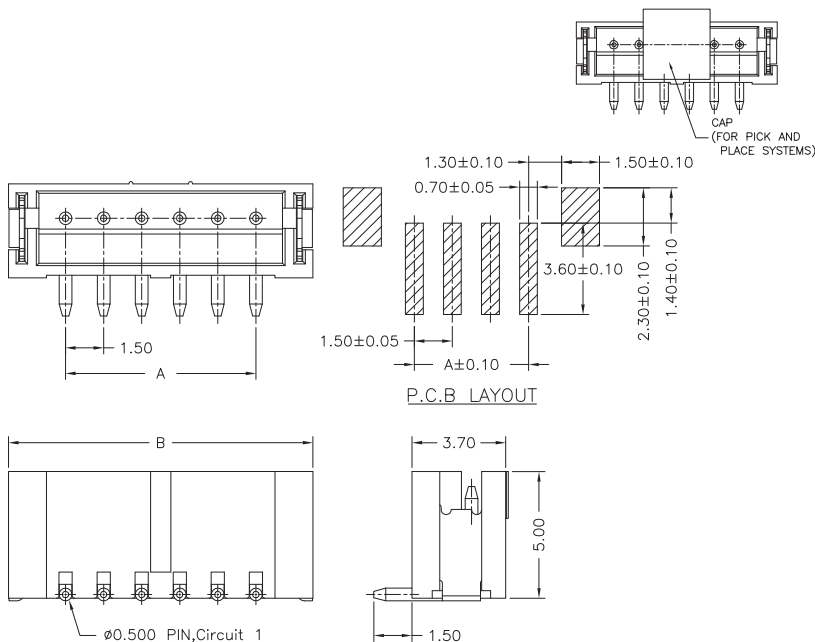
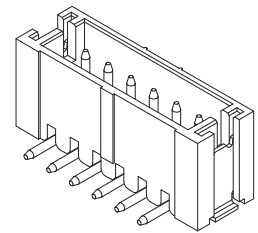
—1.50mm pitch 180° Wafer - SMT TYPE—

Reference Informations:

- *Material: Pin: Brass/Gold-flash
Solder Tabs: Brass/Gold-flash
Wafer: Nylon 6T,UL94V-0
Cap: Nylon 6T,UL94V-0
- *Mates with H.R A1500 series Housing

A1500WV-S-05P N 6 B G1 G 00 L

① N=Halogen Free
② Material: 6=Nylon 6T
③ Color: B=Black
④ Plating code: G1=Gold-flash
⑤ Plating code: G=Gold-flash
⑥ Option code: 00=Standard
⑦ Packing code: L=Tape & Reel(With Cap)



Ordering Information & Dimensions:

| PART NO. | Dimensions | |
|------------------|------------|-------|
| | A | B |
| A1500WV-S-02PD01 | 1.50 | 6.00 |
| A1500WV-S-03PD01 | 3.00 | 7.50 |
| A1500WV-S-04PD01 | 4.50 | 9.00 |
| A1500WV-S-05PD01 | 6.00 | 10.50 |
| A1500WV-S-06PD01 | 7.50 | 12.00 |
| A1500WV-S-07PD01 | 9.00 | 13.50 |
| A1500WV-S-08PD01 | 10.50 | 15.00 |
| A1500WV-S-09PD01 | 12.00 | 16.50 |
| A1500WV-S-10PD01 | 13.50 | 18.00 |
| A1500WV-S-11PD01 | 15.00 | 19.50 |
| A1500WV-S-12PD01 | 16.50 | 21.00 |
| A1500WV-S-13PD01 | 18.00 | 22.50 |

Unit:mm



A1500 SERIES

1.50mm pitch wire to board connector

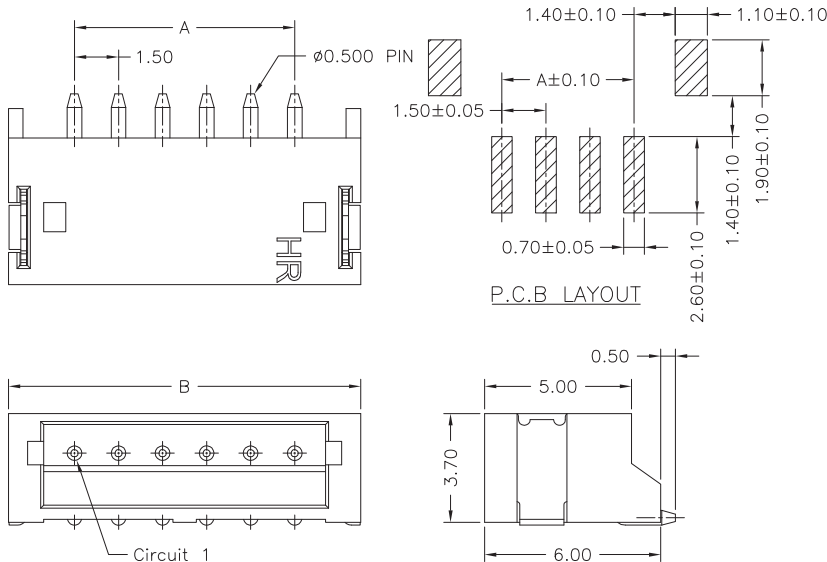
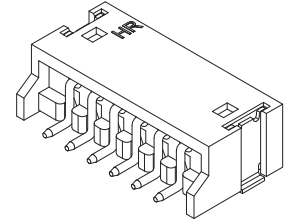
A1500WR-S

1.50mm pitch 90° Wafer - SMT TYPE

Reference Informations:

- *Material: Pin: Brass/Gold-flash
Solder Tabs: Brass/Gold-flash
Wafer: Nylon 6T,UL94V-0
- *Mates with H.R A1500 series Housing

| | | | | | | | |
|--|---------------|---|---|----|---|----|---|
| | A1500WR-S-05P | | | | | | |
| | N | 6 | B | G1 | G | 00 | R |
| ① | ② | ③ | ④ | ⑤ | ⑥ | ⑦ | |
| ① N=Halogen Free ② Material: 6=Nylon 6T ③ Color: B=Black ④ Plating code: G1=Gold-flash ⑤ Plating code: G=Gold-flash ⑥ Option code: 00=Standard ⑦ Packing code: R=Tape & Reel | | | | | | | |



Ordering Information & Dimensions:

| PART NO. | Dimensions | |
|------------------|------------|-------|
| | A | B |
| A1500WR-S-02PD01 | 1.50 | 6.00 |
| A1500WR-S-03PD01 | 3.00 | 7.50 |
| A1500WR-S-04PD01 | 4.50 | 9.00 |
| A1500WR-S-05PD01 | 6.00 | 10.50 |
| A1500WR-S-06PD01 | 7.50 | 12.00 |
| A1500WR-S-07PD01 | 9.00 | 13.50 |
| A1500WR-S-08PD01 | 10.50 | 15.00 |
| A1500WR-S-09PD01 | 12.00 | 16.50 |
| A1500WR-S-10PD01 | 13.50 | 18.00 |
| A1500WR-S-11PD01 | 15.00 | 19.50 |
| A1500WR-S-12PD01 | 16.50 | 21.00 |
| A1500WR-S-13PD01 | 18.00 | 22.50 |

Unit:mm

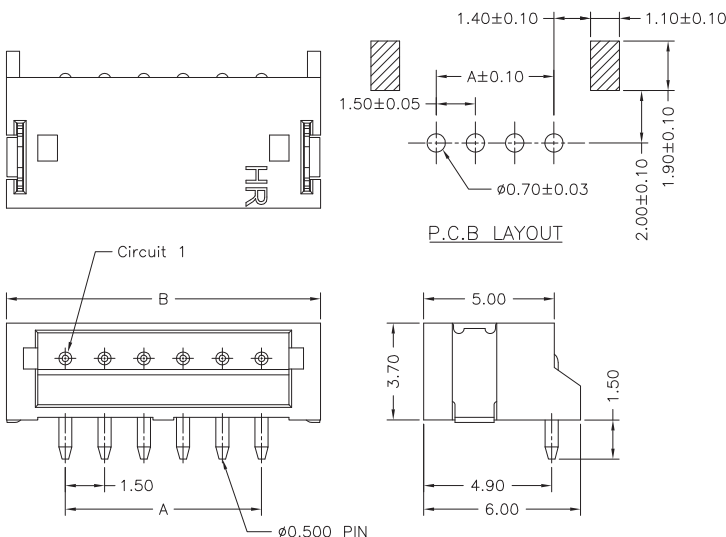
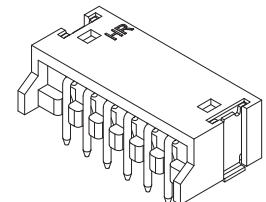
A1500WR-S

1.50mm pitch 90° Wafer - SMT-A TYPE

Reference Informations:

- *Material: Pin: Brass/Gold-flash
Solder Tabs: Brass/Gold-flash
Wafer: Nylon 6T,UL94V-0
- *Mates with H.R A1500 series Housing

| | | | | | | | |
|--|---------------|---|---|----|---|----|---|
| | A1500WR-S-05P | | | | | | |
| | N | 6 | B | G1 | G | A0 | R |
| ① | ② | ③ | ④ | ⑤ | ⑥ | ⑦ | |
| ① N=Halogen Free ② Material: 6=Nylon 6T ③ Color: B=Black ④ Plating code: G1=Gold-flash ⑤ Plating code: G=Gold-flash ⑥ Option code: A0=Through hole pin ⑦ Packing code: R=Tape & Reel | | | | | | | |



Ordering Information & Dimensions:

| PART NO. | Dimensions | |
|------------------|------------|-------|
| | A | B |
| A1500WR-S-02PDA1 | 1.50 | 6.00 |
| A1500WR-S-03PDA1 | 3.00 | 7.50 |
| A1500WR-S-04PDA1 | 4.50 | 9.00 |
| A1500WR-S-05PDA1 | 6.00 | 10.50 |
| A1500WR-S-06PDA1 | 7.50 | 12.00 |
| A1500WR-S-07PDA1 | 9.00 | 13.50 |
| A1500WR-S-08PDA1 | 10.50 | 15.00 |
| A1500WR-S-09PDA1 | 12.00 | 16.50 |
| A1500WR-S-10PDA1 | 13.50 | 18.00 |
| A1500WR-S-11PDA1 | 15.00 | 19.50 |
| A1500WR-S-12PDA1 | 16.50 | 21.00 |
| A1500WR-S-13PDA1 | 18.00 | 22.50 |

Unit:mm