

NOTES:

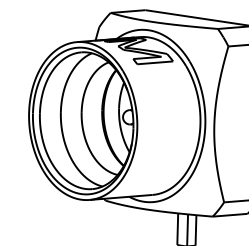
1. MATERIALS AND FINISHES:
 BODY - BeCu, GOLD PLATING
 CONTACT - BeCu, GOLD PLATING
 INSULATOR - LCP E130i

2. ELECTRICAL:
 A. IMPEDANCE: 50 OHM
 B. FREQUENCY RANGE: DC - 20 GHz
 C. VSWR (RETURN LOSS): 1.10 MAX. (-26.4 dB MIN.) @ DC - 8 GHz
 1.22 MAX. (-20 dB MIN.) @ 8 - 20 GHz
 CONNECTOR ONLY, PERFORMANCE WILL VARY
 BASED ON BOARD LAYOUT
 D. DIELECTRIC WITHSTANDING VOLTAGE: 500 VRMS, MIN.

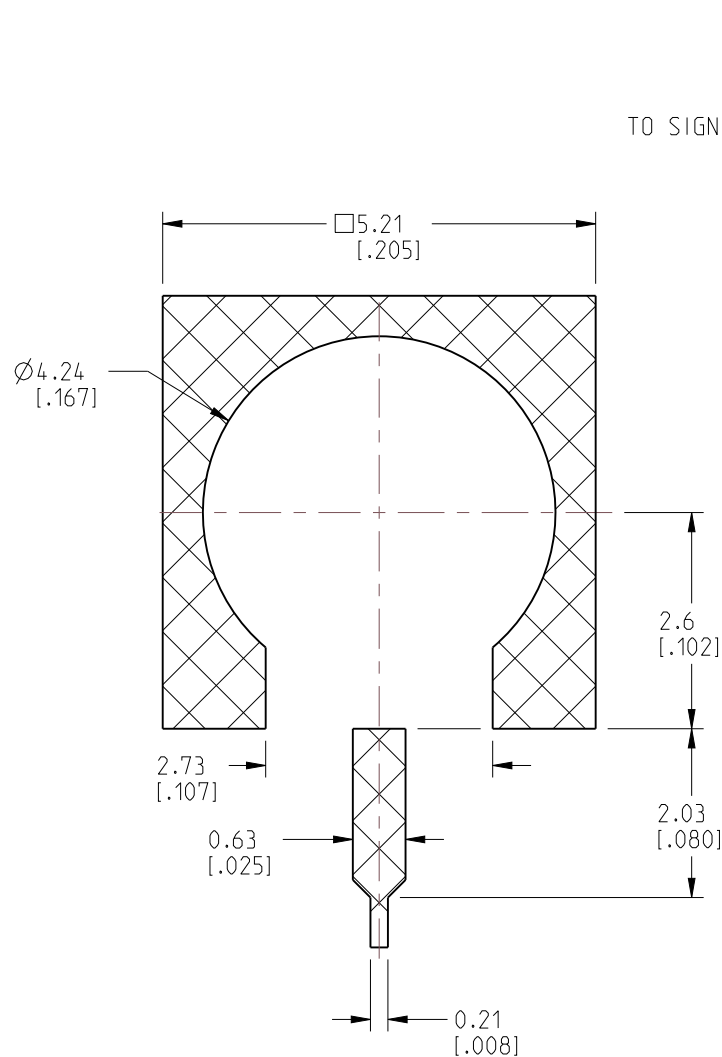
3. MECHANICAL:
 A. DURABILITY: 500 CYCLES MIN.
 B. TEMPERATURE RANGE: -65°C TO +165°C
 C. ENGAGEMENT FORCE: 10 LBS (45 N) MAX.
 D. DISENGAGEMENT FORCE: 2 LBS (9 N) MIN.
 E. INNER CONTACT RETENTION FORCE: 1.5 LBS (7 N) MIN.

4. PACKAGING:
 A. QUANTITY: 50 PCS TRAY
 B. MARKING: TRAY TO BE MARKED:
 "AMPHENOL RF, SMP-MSLD-PCS-NM AND DATE CODE"

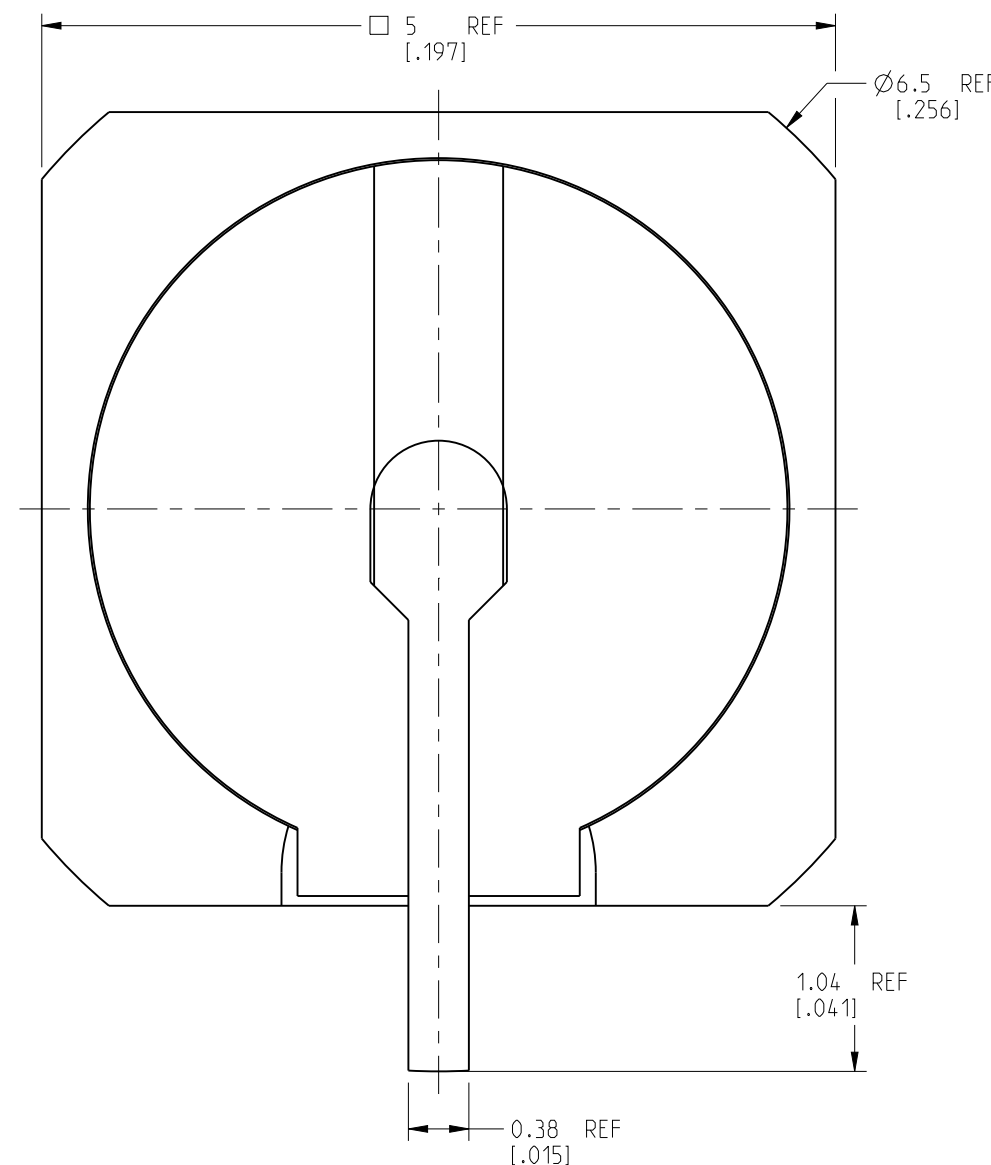
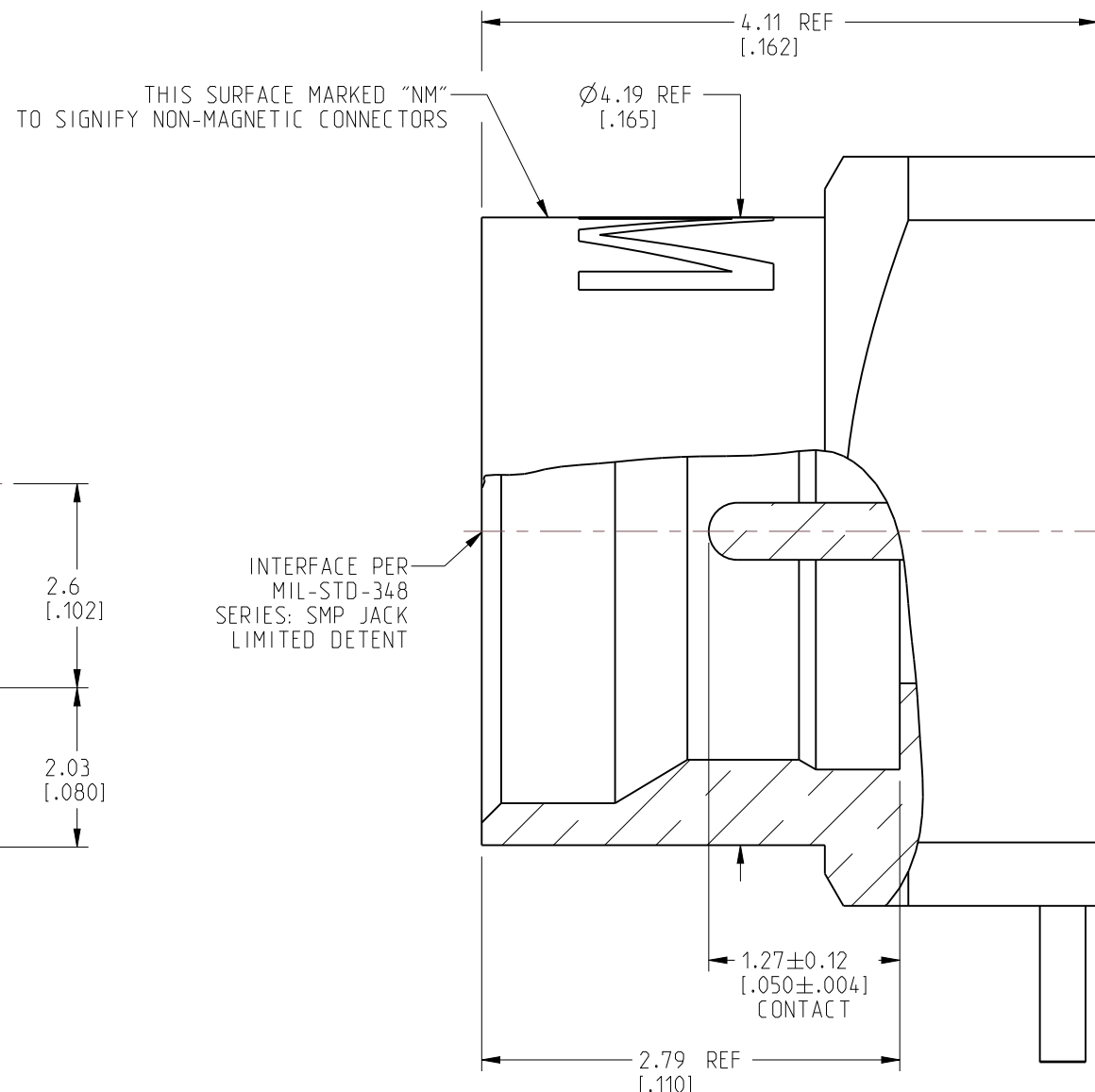
REVISIONS				
REV	DESCRIPTION	DATE	ECN	BY
A	RELEASE TO MFG.	18-Nov-22	16309	SH



SCALE 5.000



RECOMMENDED PCB
 PAD LAYOUT



CUSTOMER OUTLINE DRAWING
 ALL OTHER SHEETS ARE FOR INTERNAL USE ONLY

NOTICE: These drawings, specifications, or other data (1) are, and remain the property of Amphenol corp. (2) must be returned upon request; and (3) are confidential and not to be disclosed to any person other than those to whom they are given by Amphenol Corp. The furnishing of these drawings, specifications, or other data by Amphenol Corp., or to any other person to anyone for any purpose is not to be regarded by implication or otherwise in any manner licensing, granting rights to permitting such holder or any other person to manufacture, use or sell any product, process or design, patented or otherwise, that may in any way be related to or disclosed by said drawings, specifications, or other data.

UNLESS OTHERWISE SPECIFIED
 DIMENSIONS ARE METRIC (INCHES) AND TOLERANCES ARE:
 <0.5mm = ±0.05mm [-0.020 = ±0.002]
 0.5 - 6mm = ±0.1mm [+0.020 - 0.236 = ±0.004]
 >6.00 - 30mm = ±0.2mm [+0.236 - 1.181 = ±0.008]
 >30.00 - 120mm = ±0.3mm [+1.181 - 4.725 = ±0.012]

MATERIAL
 SEE NOTES

TITLE
 SMP STR JACK PCB
 RECEPTACLE LIMITED
 DETENT SURFACE MOUNT
 NON-MAGNETIC

Amphenol RF

SIZE B	DRAWING NO.	SMP-MSLD-PCS-NM	REV A
	ITEM NO.	SMP-MSLD-PCS-NM	
	PART NO.	SMP-MSLD-PCS-NM	

THIRD ANGLE PROJ.	REFERENCE	EAR# 8889
-------------------	-----------	--------------

ENGR.1 S.VO	ENGR.2 L.QIN	DATE 21-OCT-20
----------------	-----------------	-------------------

SHEET NO. 2 OF 2	SCALE: 21.0:1.0
------------------	-----------------

ANGLES = ±1°

Mouser Electronics

Authorized Distributor

Click to View Pricing, Inventory, Delivery & Lifecycle Information:

[Amphenol:](#)

[SMP-MSLD-PCS-NM](#)